

PERFORMANCE BOMBA BP20

Active subwoofer enclosure

- Reinforced MDF structure
Compact shape and high rigidity

- Class D amplifier
High power handling

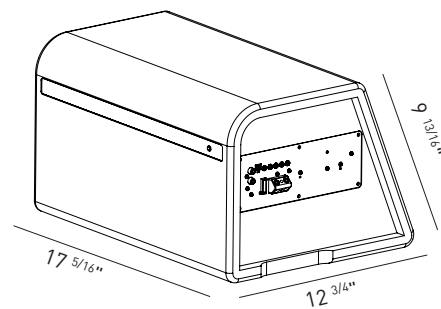


- High and low level input
After market and oem headunits

- 8" (200mm) subwoofer in bandpass technology
Deep and controlled bass frequencies

WHAT MAKES THE DIFFERENCE

- Class D 300W power
- Bandpass enclosure technology
- High and low level input
- Compact shape (easy to install in small trunk volume)



TECHNICAL CHARACTERISTICS

Subwoofer diameter: 8" (200mm)
Size (LxHxW): 17 5/16" x 9 13/16" x 12 3/4"
(439,6mm x 249,6mm x 323,6mm)
Weight: 24lbs (11Kg)

Max. power: 300W
Nom. power: 150W RMS
Frequency response: 20Hz – 125Hz

Subsonic adjustment: 20Hz – 35Hz
Low pass adjustment: 45Hz – 120Hz
Low boss adjustment: 0 – 12dB/oct

 **Performance**
CREATE YOUR SOUND

 **FOCAL**
THE SPIRIT OF SOUND