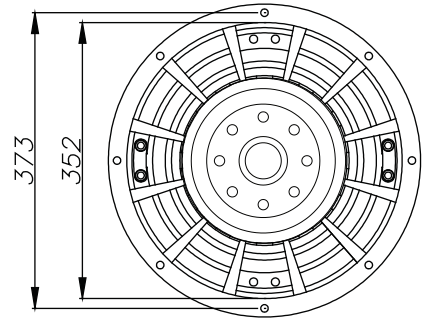
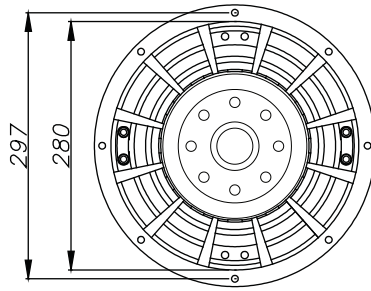
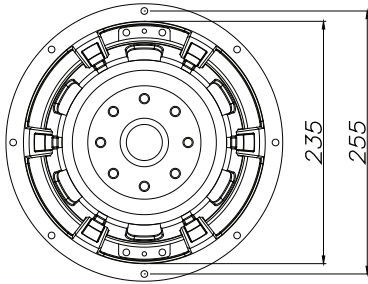
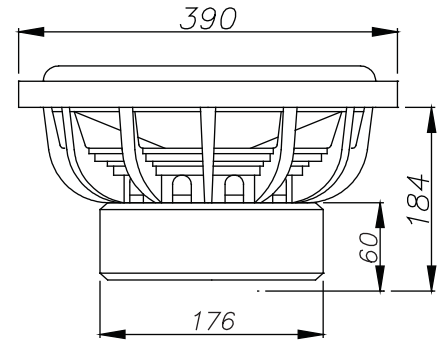
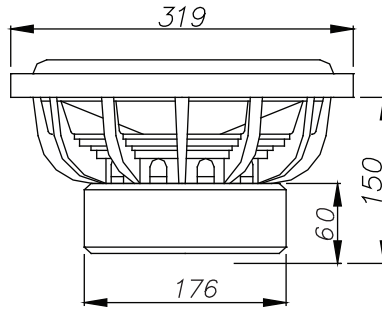
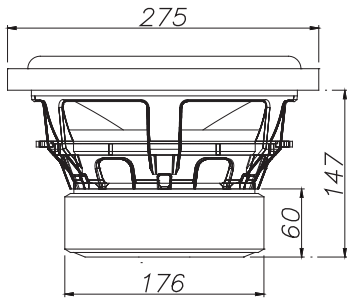




SWEET LIKE DANISH

model: Riot10 / RIOT12 / Riot15



Model:	Riot10d2	riot12d2	riot12d4	riot15d2	riot15d4
Sensitivity:	86.2 dB	89 dB	86.2	92.1 dB	89.7 dB
Nominal Impedance:	Dual 2 Ω	Dual 2 Ω	Dual 4 Ω	Dual 2 Ω	Dual 4 Ω
DC Resistance (DC):	1.9 Ω	1.9 Ω	3.2 Ω	1.9 Ω	3.2 Ω
Voice Coil Dim:	3"	3"	3"	3"	3"
Power Handling*:	750 Watts	750 Watts	750 Watts	750 Watts	750 Watts
Peak Dynamic Power:	1500 Watts	1500 Watts	1500 Watts	1500 Watts	1500 Watts
XMAX one way (mm):	18	18	18	18	18
VAS:	14.1 L	29.5 L	26.4 L	62.2 L	63.2 L
FS:	33.6 Hz	33.9 Hz	34.5 Hz	34.9 Hz	34.4 Hz
QES:	0.53	0.54	0.62	0.54	0.63
QMS:	5.13	5.19	4.94	5.49	5.54
QTS:	0.53	0.49	0.55	0.49	0.56
Magnet:	240 Oz	240 Oz	240 Oz	240 Oz	240 Oz
Displacement:	3 L / .11 cu.ft	3.8 L / .13 cu.ft	3.8 L / .13 cu.ft	6.1 L / 0.22 cu.ft	6.1 L / 0.22 cu.ft

Type	Enclosure suggestions			
	Sealed	Ported compact	Ported	BP 4th
Riot10d2	20 L / .706 cu.ft Otc 0.419	35 L / 1.236 cu.ft P: 4" L: 15.74" / 40 cm FB: 38 Hz	50 L / 1.76 cu.ft P: 4" L: 13.26" / 33.6 cm FB: 34 Hz	3:1 Ratio
Riot12d2	25 L / .706 cu.ft Otc 0.55	46 L / 1.63 cu.ft P: 4" L: 10.58" / 26.9 cm FB: 38 Hz	75 L / 2.63 cu.ft P: 2x3" L: 10.64" / 27 cm FB: 32 Hz	3:1 Ratio
Riot12d4	25 L / .706 cu.ft Otc 0.6	40 L / 1.413 cu.ft P: 4" L: 12.8" / 32.5 cm FB: 38 Hz	75 L / 2.63 cu.ft P: 2x3" L: 10.7" / 27.2 cm FB: 32 Hz	3:1 Ratio
riot15d2	32 L / 1.125 cu.ft Otc 0.625	80 L / 2.83 cu.ft P.A. 32.55 sq.in L: 18.22" / 46.3 cm FB: 38 Hz	134 L / 4.73 cu.ft P.A. 32.55 sq.in L: 14.7" / 37.3 cm FB: 32 Hz	3:1 Ratio
riot15d4	32 L / 1.125 cu.ft Otc 0.7	80 L / 2.83 cu.ft P.A. 32.55 sq.in L: 18.22" / 46.3 cm FB: 38 Hz	190 L / 6.73 cu.ft P.A. 32.55 sq.in L: 9.1" / 23.1 cm FB: 32 Hz	3:1 Ratio

*It's essential that our speakers are given time to allow the suspension to soften up. Depending on use, this may take several weeks. While this process is undergoing, it is not recommended to apply full amplification power according to the speaker's specs. Once the moving parts have been broken in, the performance of your speaker will increase. Abuse of the unit is **not** covered by warranty. The warranty does not cover (1) Speakers that have been used for spl purpose in competitions, (2) Damage caused by amplifier clipping or distortion, (3) Exposure to water, oil, solvent & excessive temperatures +/- (5) Cost of shipping to / from authorized service center.