

MON-35



3.5" Dash Mount Dual Input Monitor User Manual



ECHOMASTER

Installation Guide



MON-35

3.5" Dash Mount Dual Input Monitor

Introduction

Thank you for purchasing your EchoMaster automotive monitor.

Your monitor displays a clear, high resolution image of the area surrounding your vehicle, meaning your maneuvering and vehicle awareness will be greatly improved.

Please ensure you read and understand all aspects of this manual before fitting or using your EchoMaster monitor.

Box Contents

- ▶ User Guide
- ▶ Monitor
- ▶ Mounting Bracket
- ▶ Main Harness x 1
- ▶ GX16-RCA Adapters x 2
- ▶ Remote Control
- ▶ Adhesive Pad
- ▶ Bracket Screws

Key Features

- ▶ 3.5" High resolution display
- ▶ Dual video inputs
- ▶ Reverse trigger detect
- ▶ Remote control
- ▶ Selectable mirrored display

A

email - support@aampglobal.com (US)
tel - 1-800-477-2267 (East Coast) - 1-888-883-2790 (West Coast)
email - technical.eu@aampglobal.com (Europe)

MON-35

3.5" Dash Mount Dual Input Monitor



Fitting Instructions

Choose a mounting location that will not obscure the driver's view. Also, please ensure that the unit is not mounted in a location that will obstruct the operation of any airbags.

Ensure that the mounting area is clean and free of silicone, as this will cause the adhesive pad not to adhere.

If the unit is to be screwed in place then mark the mounting holes before drilling. Ensure there is nothing behind the panel that could become damaged.

Fit the bracket in place using either screws or the supplied adhesive pad.

Once the unit is in place, you can run the connections cable to behind the dash where the connections are to be made as shown in the wiring diagram section of this manual.

Operating Instructions

To turn on the unit the vehicle ignition should be active. The POWER button will turn the screen on.

The V1/V2 button will cycle between AV1 and AV2.

The MODE button will scroll through 4 different image profiles (Standard, Soft, Vivid, and Light).

In addition to all the functions above, the remote control allows you to access the menu functions by pressing the MENU button. These are adjusted using the left and right arrows.

Operating Instructions (continued)

The unit has built-in audio on whichever channel is being shown on screen. When a 12V input is detected on the green wire the unit will automatically switch to AV2. If the unit is currently turned off when this trigger is detected it will automatically turn on and switch to AV2.

Menu

- Brightness:** Adjust the brightness level of the screen between 0 and 40.
- Contrast:** Adjust the contrast of the screen between 0 and 40.
- Color:** Adjust the color of the screen between 0 and 40.
- TCON:** This allows you to adjust the orientation of the picture between mirrored and non-mirrored, and upside down or normal. This allows you to use the monitor with a wide range of cameras and sources in a wide range of applications.
- Language:** Change the language of the on-screen menus between English, German, French, Spanish, Portuguese, Italian, Dutch and Chinese.
- Reset:** This will reset all menus to the default value.

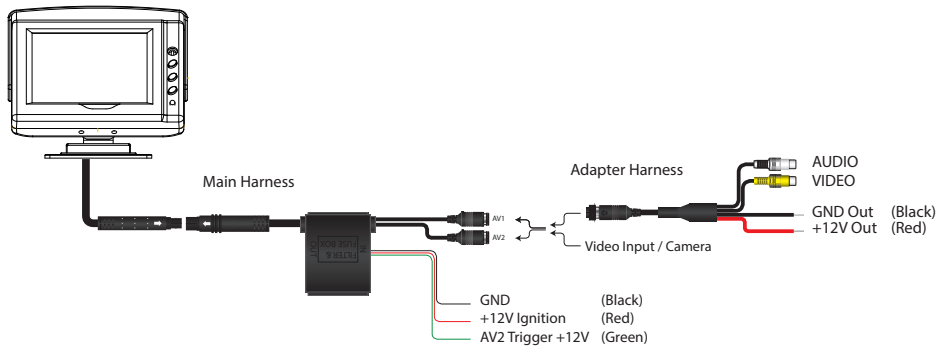
Installation Guide

MON-35

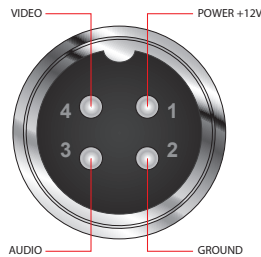
3.5" Dash Mount Dual Input Monitor



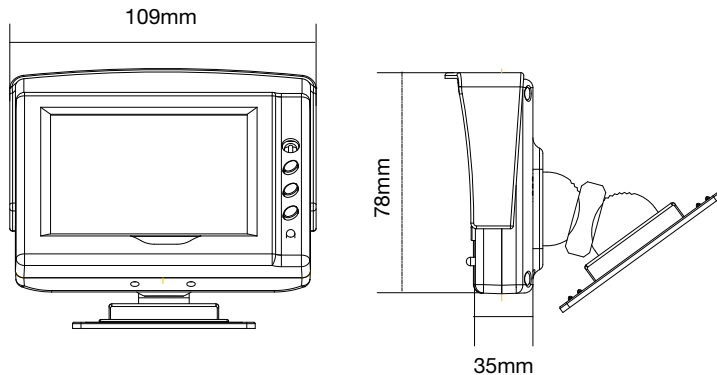
Wiring Diagram



Pin Out



Dimensions



Installation Guide



MON-35

3.5" Dash Mount Dual Input Monitor

Specifications

MON-35	
Screen Size	3.5"
Aspect Ratio	14:3
Power Supply	12V DC
Resolution	320 x 480
Luminance	250
Contrast	500:1
TV Format	AUTO
OSD Languages	Multi
Video Inputs	2
Audio Inputs	0
Triggers	1
Current Draw	280mA
Operating Temperature	-20C - +70C
IP Rating	30
Parking Guidelines	No
Dimensions (mm)	109 x 78 x 35
Connection Type	GX16

A

email - support@aampglobal.com (US)
tel - 1-800-477-2267 (East Coast) - 1-888-883-2790 (West Coast)
email - technical.eu@aampglobal.com (Europe)

Installation Guide

MON-35

3.5" Dash Mount Dual Input Monitor





15500 Lightwave Drive, Suite 202, Clearwater, Florida 33760
Woolmer Way, Bordon, Hampshire, United Kingdom

email - support@aampglobal.com (US)
tel - 1-800-477-2267 (East Coast) - 1-888-883-2790 (West Coast)

email - technical.eu@aampglobal.com (Europe)



EchoMaster is a Power Brand of AAMP Global.
EchoMaster.com