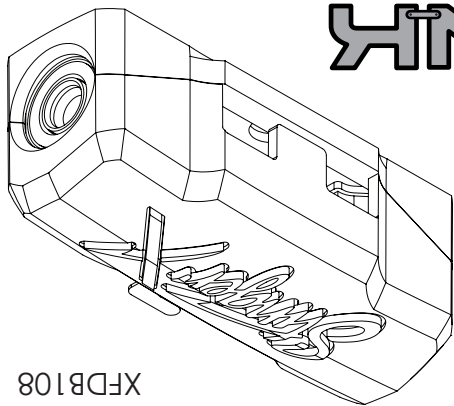


# UNIVERSAL 0-8GA POWER OR GROUND LINKABLE FUSED DISTRIBUTION BLOCK



XFDB108



## INSTALLATION GUIDE

### WARNING!

- NEVER use the XLINK Jumpers in place of a fuse
- Cover any unused input with an Input Plug
- XLINK systems should not exceed 500 AMP in total fusing



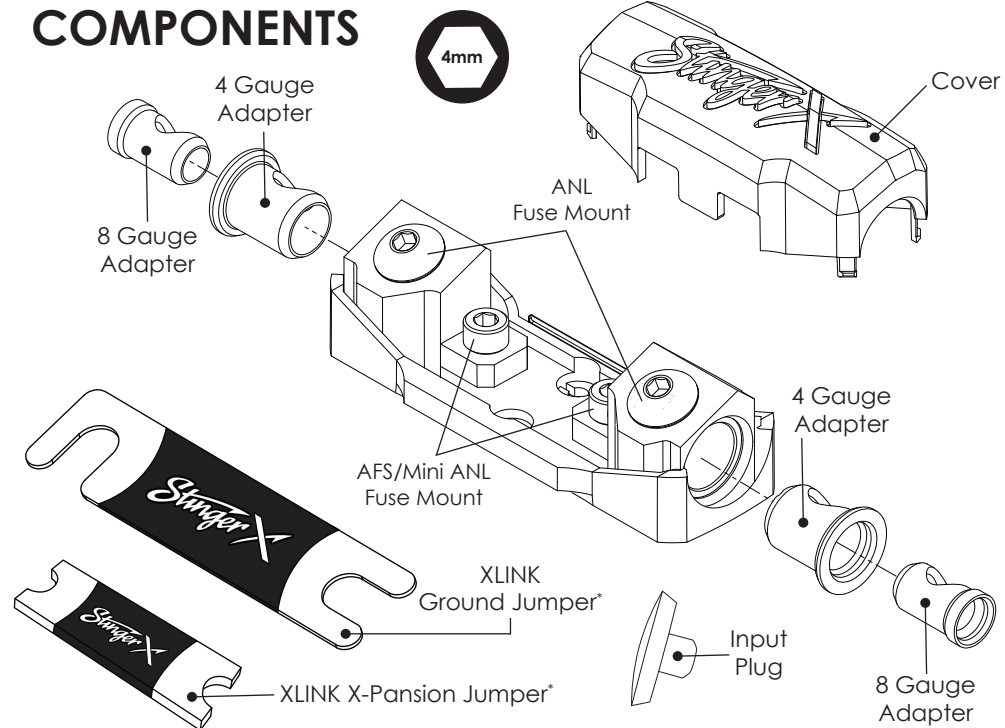
Stinger is a Power Brand of AAMP Global  
15500 Lightwave Drive, Suite 202  
Clearwater, Florida 33760

XFDB108 PATENT PENDING

Technical Support: 800-477-2267  
StingerElectronics.com  
support@stingerelectronics.com

© Copyright 2018

## COMPONENTS

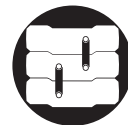
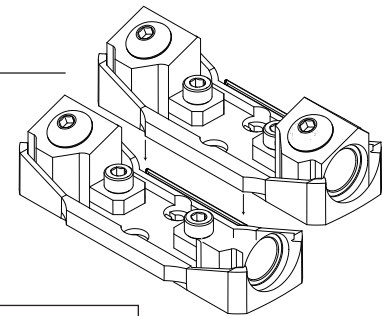


**WARNING!** NEVER use the XLINK jumpers in place of a fuse.

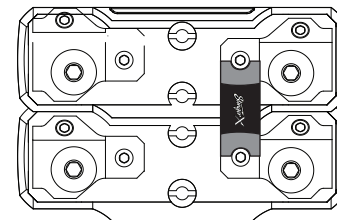
## QUICK TIPS



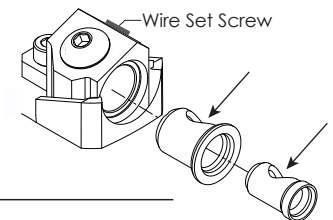
**XLINK Interlocking Base**  
To connect 2 or more XLINKs, align locking channel and press together.



**XLINK X-Pansion Jumper**  
Distribute power or ground across multiple XLINK blocks by connecting the X-Pansion jumper to input side of block. Connecting this way; if a single circuit blows a fuse, the XLINK block will continue providing to power to the other circuits.

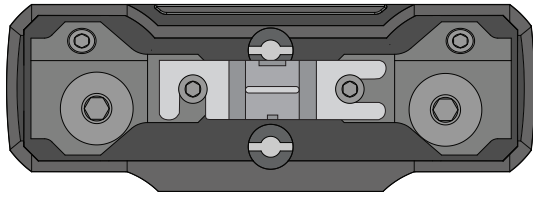


**XLINK Gauge Adapters**  
Convert to any combination of 0GA, 4GA or 8GA inputs and outputs. Make sure the adapter opening lines up with the wire set screw.



## SINGLE BLOCK

Single **ANL** Fuse Holder  
- 1/0GA, 4GA, 8GA Input/Output

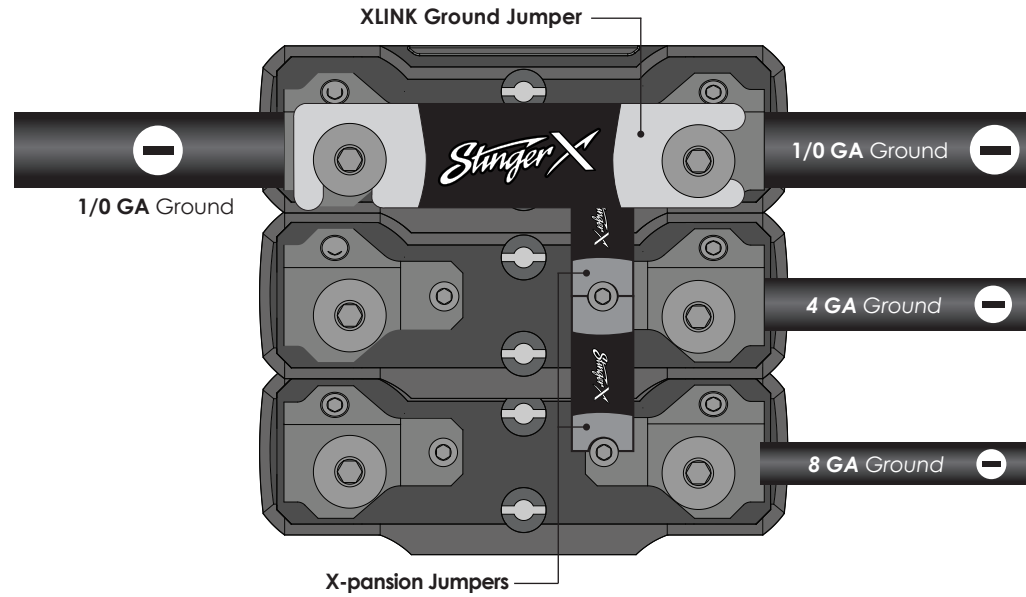


Single **AFS** Fuse Holder  
- 1/0GA, 4GA, 8GA Input/Output

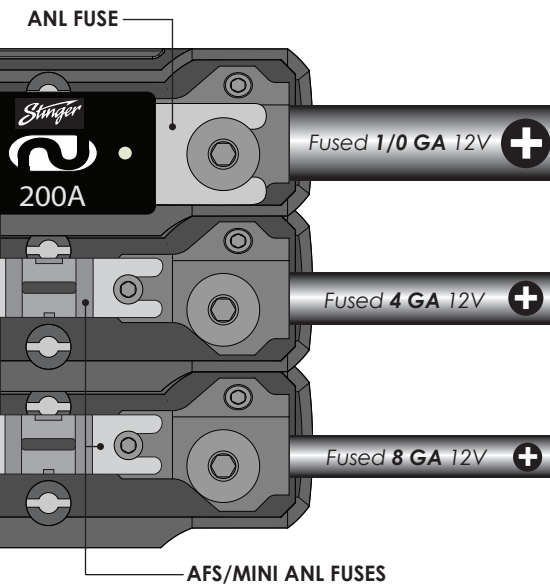


**XLINK** Ground Jumper  
- 1/0GA, 4GA, 8GA Input/Output

## GROUND BLOCK



## POWER BLOCK



## COMBO BLOCK

