

IT CAN NEVER **B²** LOUD

DVPE 212

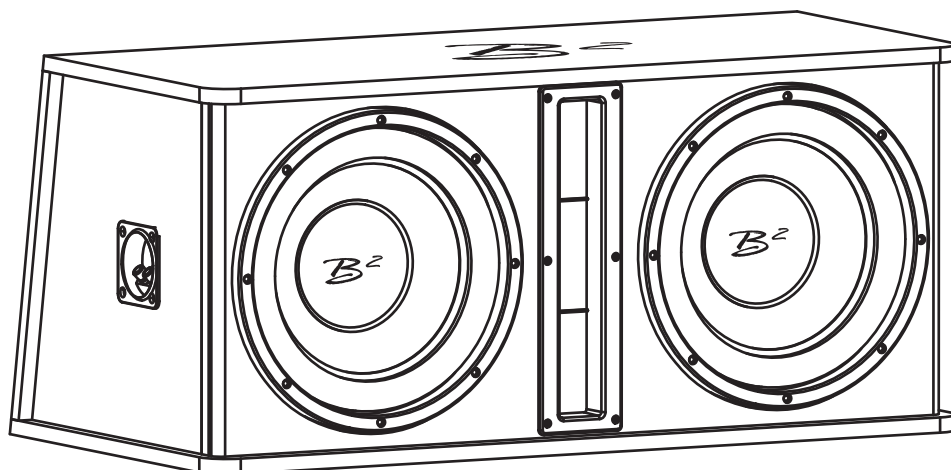
2 x 12"
CHASSIS DIAMETER

2000 W
MAX POWER

91 DB
SENSITIVITY

25 HZ~200 HZ
FREQUENCY RESPONSE

2.5" / 63.5 MM
4 LAYER DUAL VOICE COIL



ENCLOSURE SPECIFICATIONS

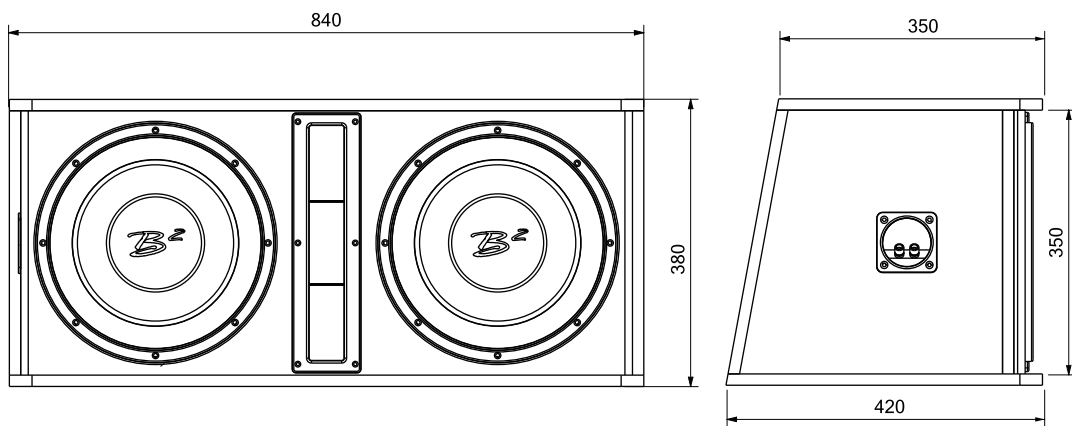
Dimensions: 840x380x(420-350) mm
Volume: 86.3 L / 3.05 cu.ft
Box Tuning: 35 Hz
Port Area: 196 cm² / 6.2"
Port Type: L - Shaped L+ R

SUBWOOFER SPECIFICATION

Diameter: 2 x 12"
Max Power: 2000 Watts
RMS Power: 1000 Watts
Impedance: 2 + 2 Ohm
Frequency Response: 25 Hz~200 Hz
Sensitivity (1w/1m): 91 dB
Voice Coil Diameter: 2.5" / 63.5 mm
Cone: Non Pressed Paper
Magnet: 80 Oz x 2

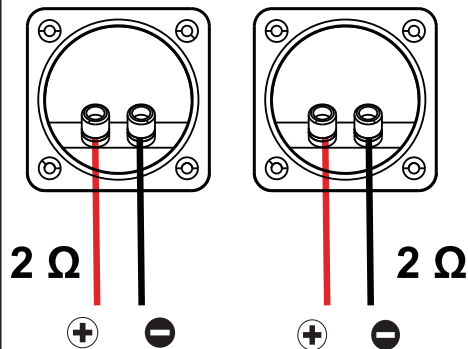
IT CAN NEVER **B²** LOUD DVPE 212

ENCLOSURE DIMENSIONS

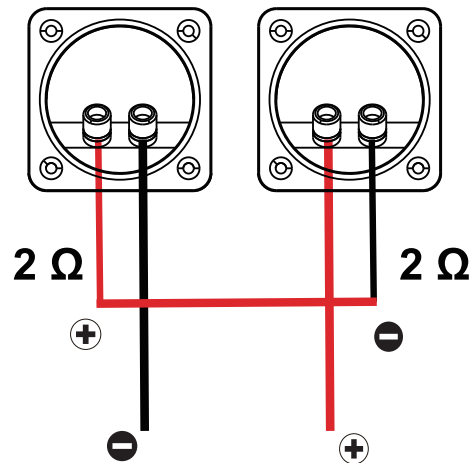


WIRING OPTIONS

PARALLEL = 1 Ω (STEREO 2 + 2 OHM)



SERIAL = 4 Ω



WIRING IN PARALLEL REQUIRES ALL POSITIVE LEADS ARE RAN TOGETHER TO THE AMPLIFIERS POSITIVE SPEAKER TERMINAL. THE SAME GOES FOR THE NEGATIVE LEADS, THESE WILL CONNECT TO THE NEGATIVE SPEAKER TERMINAL ON THE AMPLIFIER.

IF YOU HAVE A MULTICHANNEL AMPLIFIER, YOU CAN ALSO USE A STEREO CONNECTION AND HAVE A LOAD OF 2 OHM PER CHANNEL