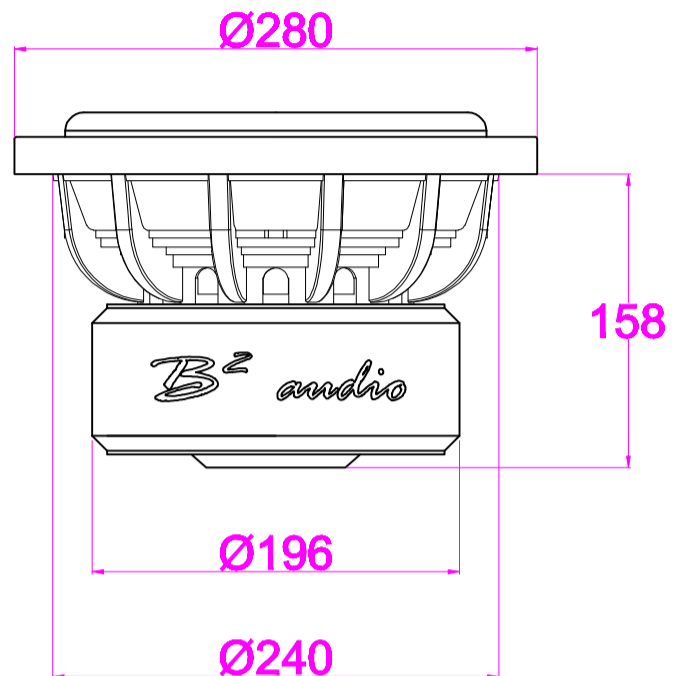
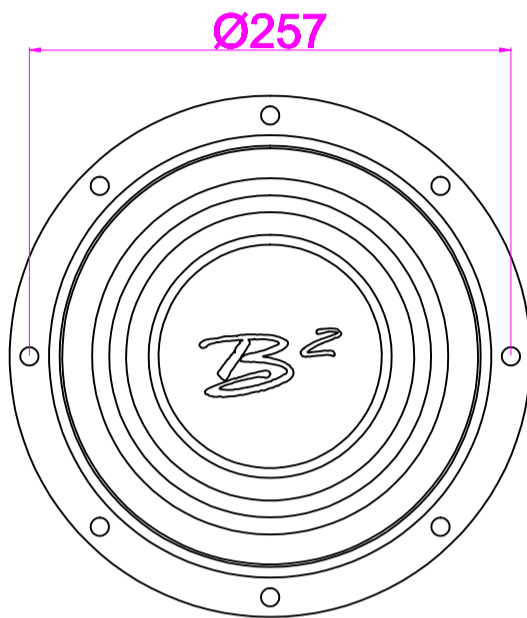




MODEL: HN10

Product id: HN10D412



### Enclosure suggestions

Sealed: 18~36L (0.63~1.27ft<sup>3</sup>)

Ported: 60L (2.11ft<sup>3</sup>) extended output  
2 x 4" port L 43 cm / F-3dB 32 Hz

Power handling*:	1000 wrms
Sensitivity:	82,8 dB
Nominal impedance:	Dual 1Ω
X-Max:	22 mm
Equivalent Compliance (Vas):	11,838 L
Free Air Resonance (Fs):	38,68 Hz
Electrical "Q" (Qes):	0,549
Mechanical "Q" (Qms):	3,879
Total Speaker "Q" (Qts):	0,481
DC Resistance (Re):	1.1 Ω
Magnet weight (Oz):	3 x 80 Oz

# B<sup>2</sup> audio

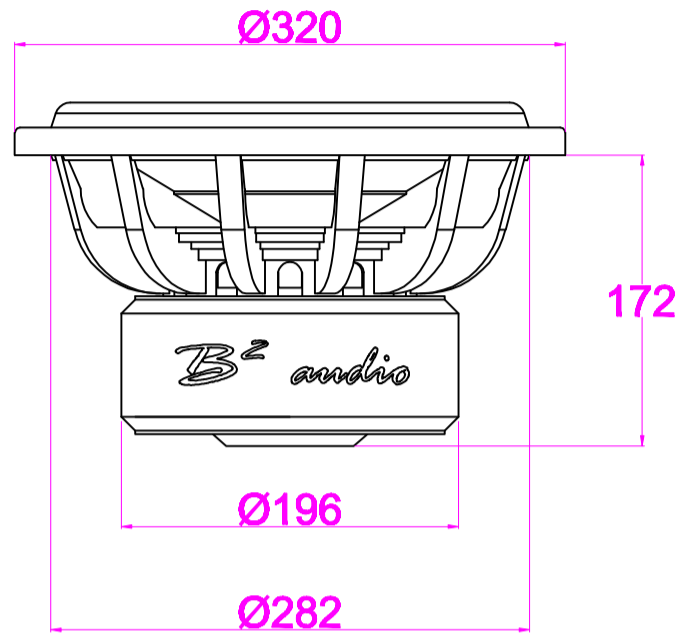
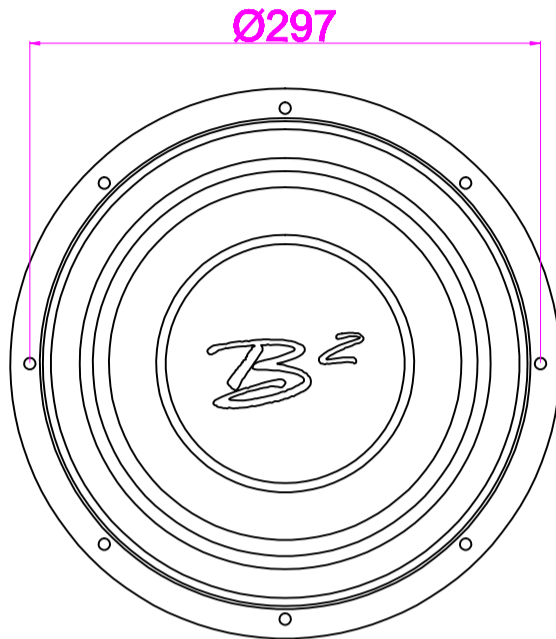
[www.b2-audio.com](http://www.b2-audio.com) / [www.b2audio.com](http://www.b2audio.com)  
Sales & Marketing: [bh@b2-audio.com](mailto:bh@b2-audio.com)  
Technical support: [bm@b2-audio.com](mailto:bm@b2-audio.com)  
General requests: [b2audio@hotmail.com](mailto:b2audio@hotmail.com)  
[www.facebook.com/b2audio](http://www.facebook.com/b2audio)

\*It is essential that our woofers are given time to allow the suspension to soften up. Depending on usage, this may take several weeks. While this process is undergoing, it is not recommended to apply full amplification power according to the woofers specs. Once the moving parts have been broken in, the performance of your subwoofer will increase.



MODEL: HN12

Product id: HN12D412



### Enclosure suggestions

Sealed: 24~48L (0.84~1.69ft<sup>3</sup>)

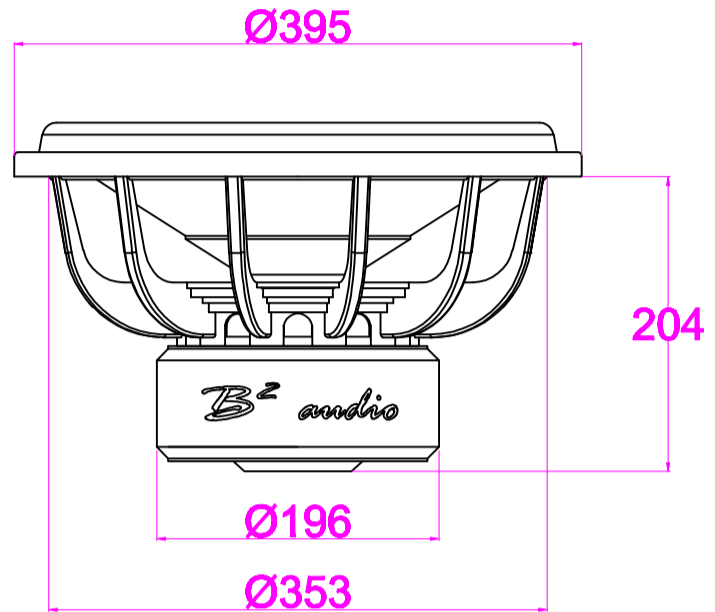
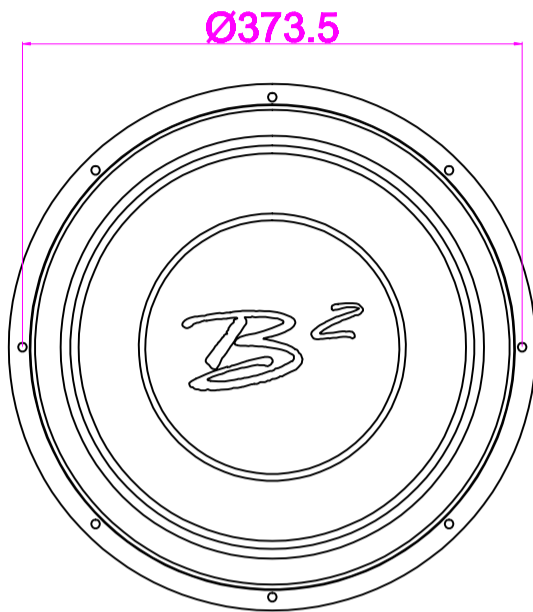
Ported: 60L (2.11ft<sup>3</sup>) extended output  
1 x 6" port L 46 cm / F-3dB 33.7 Hz

Power handling*:	1200 wrms
Sensitivity:	85,7 dB
Nominal impedance:	Dual 1Ω
X-Max:	22 mm
Equivalent Compliance (Vas):	22,882 L
Free Air Resonance (Fs):	40,04 Hz
Electrical "Q" (Qes):	0,613
Mechanical "Q" (Qms):	3,788
Total Speaker "Q" (Qts):	0,528
DC Resistance (Re):	1.1 Ω
Magnet weighth (Oz):	3 x 80 Oz

# B<sup>2</sup> audio

[www.b2-audio.com](http://www.b2-audio.com) / [www.b2audio.com](http://www.b2audio.com)  
Sales & Marketing: [bh@b2-audio.com](mailto:bh@b2-audio.com)  
Technical support: [bm@b2-audio.com](mailto:bm@b2-audio.com)  
General requests: [b2audio@hotmail.com](mailto:b2audio@hotmail.com)  
[www.facebook.com/b2audio](http://www.facebook.com/b2audio)

\*It is essential that our woofers are given time to allow the suspension to soften up. Depending on usage, this may take several weeks. While this process is undergoing, it is not recommended to apply full amplification power according to the woofers specs. Once the moving parts have been broken in, the performance of your subwoofer will increase.



### Enclosure suggestions

Sealed: 35~70L (1.23~2.47ft<sup>3</sup>)      Ported: 142L (5.01ft<sup>3</sup>) extended output  
1 x 6" port L 47 cm / F-3dB 23.7 Hz  
Ported: 75L (2.64ft<sup>3</sup>) preferred  
2 x 4" port L 39 cm / F-3dB 31.2Hz

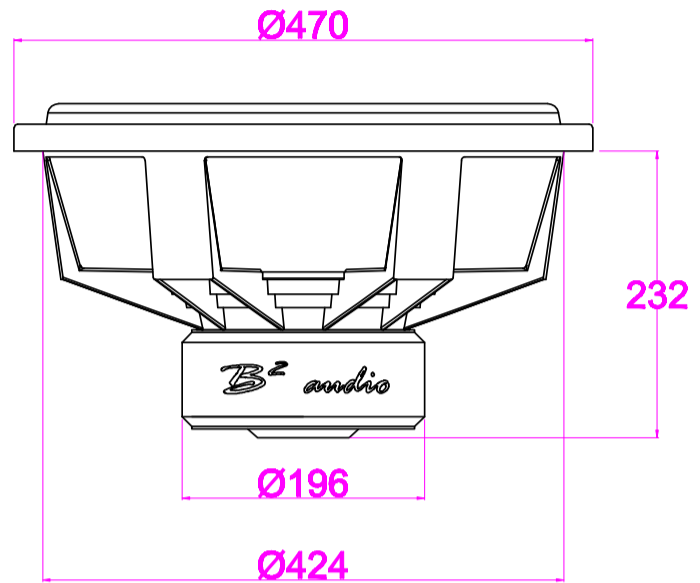
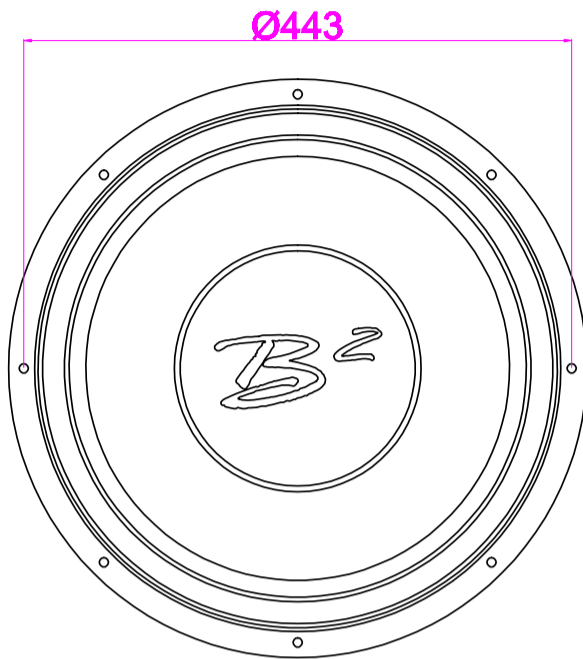
Power handling*:	1200 wrms
Sensitivity:	88,1 dB
Nominal impedance:	Dual 1Ω
X-Max:	22 mm
Equivalent Compliance (Vas):	64,81 L
Free Air Resonance (Fs):	34,8 Hz
Electrical "Q" (Qes):	0,656
Mechanical "Q" (Qms):	4,624
Total Speaker "Q" (Qts):	0,575
DC Resistance (Re):	1.1 Ω
Magnet weight (Oz):	3 x 80 Oz

\*It is essential that our woofers are given time to allow the suspension to soften up. Depending on usage, this may take several weeks. While this process is undergoing, it is not recommended to apply full amplification power according to the woofers specs. Once the moving parts have been broken in, the performance of your subwoofer will increase.



MODEL: HN18

Product id: HN18D112



### Enclosure suggestions

Sealed: 76L (2.68ft<sup>3</sup>)    Ported: 300L (10.59ft<sup>3</sup>) extended output  
2 x 6" port L 48 cm / F-3dB 22.5 Hz  
Ported: 150L (5.29ft<sup>3</sup>) preferred  
2 x 6" port L 64 cm / F-3dB 28.2Hz

Power handling*:	1200 wrms
Sensitivity:	89,8 dB
Nominal impedance:	Dual 1Ω
X-Max:	22 mm
Equivalent Compliance (Vas):	71,21 L
Free Air Resonance (Fs):	44,4 Hz
Electrical "Q" (Qes):	1.016
Mechanical "Q" (Qms):	6,14
Total Speaker "Q" (Qts):	0,872
DC Resistance (Re):	1.1 Ω
Magnet weight (Oz):	3 x 80 Oz

\*It is essential that our woofers are given time to allow the suspension to soften up. Depending on usage, this may take several weeks. While this process is undergoing, it is not recommended to apply full amplification power according to the woofers specs. Once the moving parts have been broken in, the performance of your subwoofer will increase.