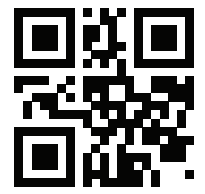


AUDIOPHILE ACOUSTICS



B2[®]

SWEET LIKE DANISH

RAGE 12V2 / RAGE 15V2

OWNER'S MANUAL

MODEL: RAGE12V2
MODEL: RAGE15V2

PRODUCT ID: RAGE12V2
PRODUCT ID: RAGE15V2

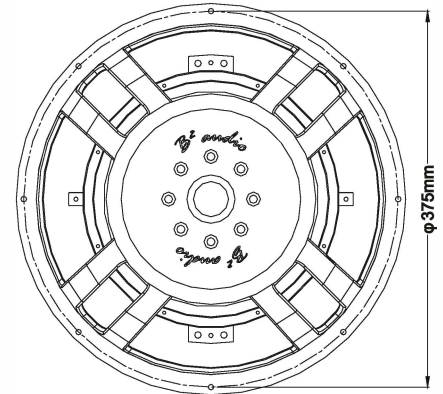
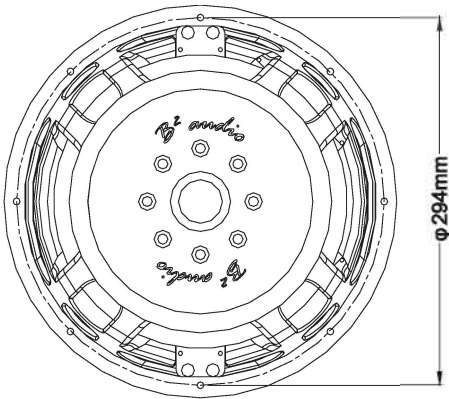
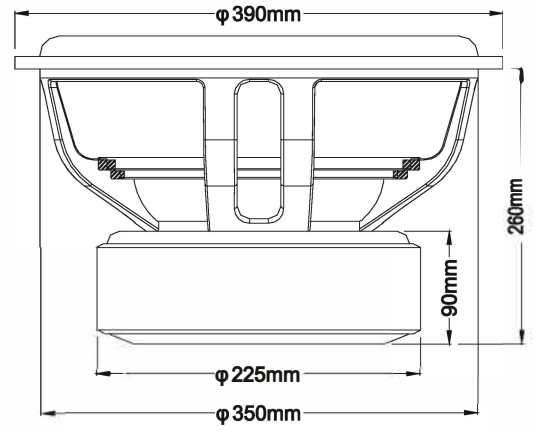
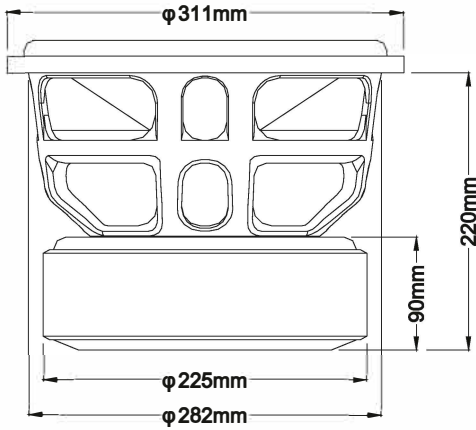
WWW.B2AUDIO.COM / WWW.FACEBOOK.COM/B2AUDIO





SWEET LIKE DANISH

MODEL: RAGE12 / RAGE15



MODEL:	RAGE12D1	RAGE12D2	RAGE15D1	RAGE15D2
Sensitivity:	90.9 dB	88.4 dB	93.4 dB	90.7 dB
Nominal Impedance:	Dual 1 Ω	Dual 2 Ω	Dual 1 Ω	Dual 2 Ω
DC Resistance (DC):	1 Ω	1.9 Ω	1 Ω	1.9 Ω
Voice Coil Dim:	3"	3"	3"	3"
Power Handling*:	1500 Watts	1500 Watts	1500 Watts	1500 Watts
Peak Dynamic Power:	3000 Watts	3000 Watts	3000 Watts	3000 Watts
XMAX one way (mm):	20	20	20	20
VAS:	22.2 L	27.2 L	67.1 L	67 L
FS:	31.9 Hz	28.6 Hz	26.8 Hz	25.5 Hz
QES:	0.45	0.35	0.41	0.35
QMS:	6.09	5.54	5.11	5.38
QTS:	0.42	0.33	0.38	0.33
CMS:	60 um/N	70 um/N	70 um/N	70 um/N
MMS:	391.7 g	416.7 g	476.3 g	524.2 g
BL²/RE:	186.2	233.6	200	262.3
Magnet:	600 Oz	600 Oz	600 Oz	600 Oz
Displacement:	7.2 L / .25 cu.ft	7.2 L / .25 cu.ft	10.7 L / .37 cu.ft	10.7 L / .37 cu.ft

ENCLOSURE SUGGESTIONS				
TYPE	SEALED	PORTED COMPACT	PORTED	BP 4TH
RAGE12D1	30 L / 1.05 cu.ft Qtc 0.451	32 L / 1.13 cu.ft P: 4" L: 13.2" / 35 cm FB: 42 Hz	64 L / 2.25 cu.ft P.A. 18.6 sq.in L: 19.7" / 50 cm FB: 32 Hz	3:1 Ratio
RAGE12D2	30 L / 1.05 cu.ft Qtc 0.39	40 L / 1.41 cu.ft P.A. 13.9 sq.in L: 13.3" / 34 cm FB: 42 Hz	64 L / 2.25 cu.ft P.A. 18.6 sq.in L: 19.7" / 50 cm FB: 32 Hz	3:1 Ratio
RAGE15D1	50 L / 1.77 cu.ft Qtc 0.464	100 L / 3.5 cu.ft P: 2 x 4" L: 11.2" / 28.5 cm FB: 35 Hz	142 L / 5 cu.ft P.A. 43.4 sq.in L: 22.2" / 56 cm FB: 30 Hz	3:1 Ratio
RAGE15D2	50 L / 1.77 cu.ft Qtc 0.41	100 L / 3.5 cu.ft P: 2 x 4" L: 11.2" / 28 cm FB: 35 Hz	142 L / 5 cu.ft P.A. 43.4 sq.in L: 22.2" / 56 cm FB: 30 Hz	3:1 Ratio

*It's essential that our speakers are given time to allow the suspension to soften up. Depending on use, this may take several weeks. While this process is undergoing, it is not recommended to apply full amplification power according to the speaker's specs. Once the moving parts have been broken in, the performance of your speaker will increase. Abuse of the unit is **not** covered by warranty. The warranty does not cover (1) Speakers that have been used for spl purpose in competitions, (2) Damage caused by amplifier clipping or distortion, (3) Exposure to water, oil, solvent & excessive temperatures +/- (5) Cost of shipping to / from authorized service center.