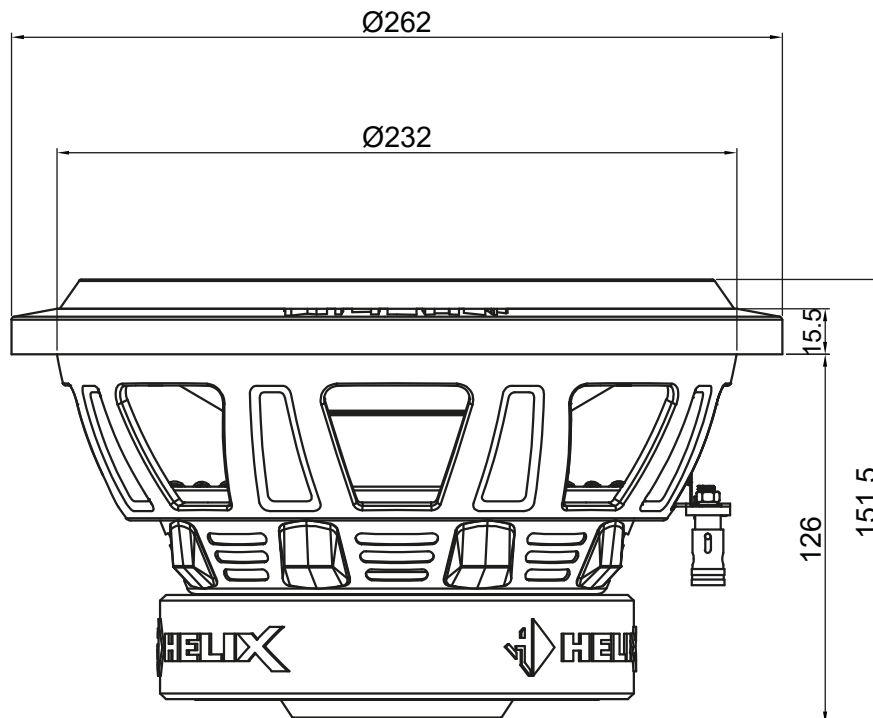


250 mm / 10" subwoofer with 1 x 2 Ohms single voice coil



Dimensions Abmessungen

All dimensions are noted in mm / Alle Abmessungen in mm



Technical data

Technische Daten

| | | |
|---|-------------|---------------------|
| Power <i>Leistung</i> | <i>RMS</i> | 300 W |
| | <i>Max.</i> | 600 W |
| Impedance <i>Impedanz</i> | <i>Z</i> | 1 x 2 Ω |
| DC resistance <i>Gleichstromwiderstand</i> | <i>Re</i> | 1 x 2,0 Ω |
| Resonance frequency <i>Resonanzfrequenz</i> | <i>Fs</i> | 32 Hz |
| Mechanical Q factor <i>Mechanische Güte</i> | <i>Qms</i> | 5,09 |
| Electrical Q factor <i>Elektrische Güte</i> | <i>Qes</i> | 0,45 |
| Total Q factor <i>Gesamtgüte</i> | <i>Qts</i> | 0,41 |
| Compliance <i>Nachgiebigkeit</i> | <i>Cms</i> | 159 μm/N |
| Equivalent air volume <i>Äquivalentvolumen</i> | <i>Vas</i> | 25 L |
| Force factor <i>Kraftfaktor</i> | <i>B*I</i> | 12,1 Tm |
| Efficiency 1W / 1m <i>Wirkungsgrad 1W / 1m</i> | <i>SPL</i> | 87,0 dB |
| Cone area <i>Membranfläche</i> | <i>Sd</i> | 333 cm ² |
| Moving mass <i>Bewegte Masse</i> | <i>Mms</i> | 126 g |
| Mechanical resistance <i>Mechanischer Widerstand</i> | <i>Rms</i> | 6,25 kg/s |
| Voice coil diameter <i>Schwingspulendurchmesser</i> | <i>Ø</i> | 50,8 mm |
| Voice coil winding height <i>Schwingspulenwickelbreite</i> | | 24 mm |
| Max. linear excursion <i>Max. linearer Membranhub</i> | <i>Xmax</i> | +/- 8 mm |

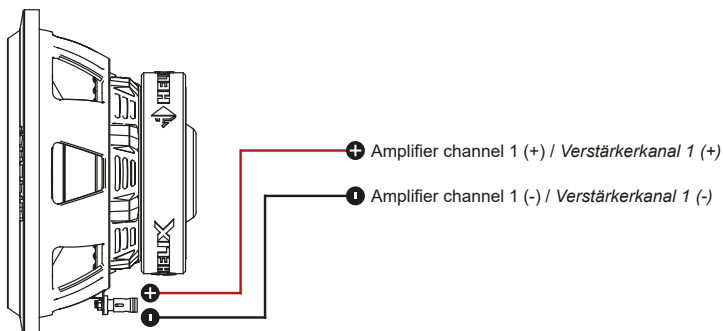
Recommended enclosure volumes

Empfohlene Gehäusevolumina

| | |
|---|--|
| Vented box <i>Bassreflex-Gehäuse</i> | |
| Net volume <i>Nettovolumen</i> | 21 L |
| Port diameter <i>Reflex-Kanaldurchmesser</i> | Ø 70 mm |
| Port area <i>Reflex-Kanallfläche</i> | 38 cm ² |
| Port length <i>Reflex-Kanallänge</i> | 32 cm |
| Port tuning frequency <i>Tunnelabstimmungsfrequenz</i> | <i>Fb</i> 36 Hz |
| Lower limiting frequency (-3 dB) <i>Untere Grenzfrequenz (-3 dB)</i> | 36 Hz |
| Recommended DSP settings <i>Empfohlene DSP-Einstellungen</i> | "Self-Define" Highpass: 35 Hz / Q = 1,0; EQ Filter: 100 Hz / Q = 0,7 / -2 dB |
| Sealed box <i>Geschlossenes Gehäuse</i> | |
| Net volume <i>Nettovolumen</i> | 15 L |
| Lower limiting frequency (-3 dB) <i>Untere Grenzfrequenz (-3 dB)</i> | 50 Hz |
| Recommended DSP settings <i>Empfohlene DSP-Einstellungen</i> | "Self-Define" Highpass: 38 Hz / Q = 1,4; EQ Filter: 95 Hz / Q = 1,0 / -3 dB |

Connection configuration

Anschluss



Grille and gasket included in delivery

Gitter und Abdeckung im Lieferumfang enthalten

