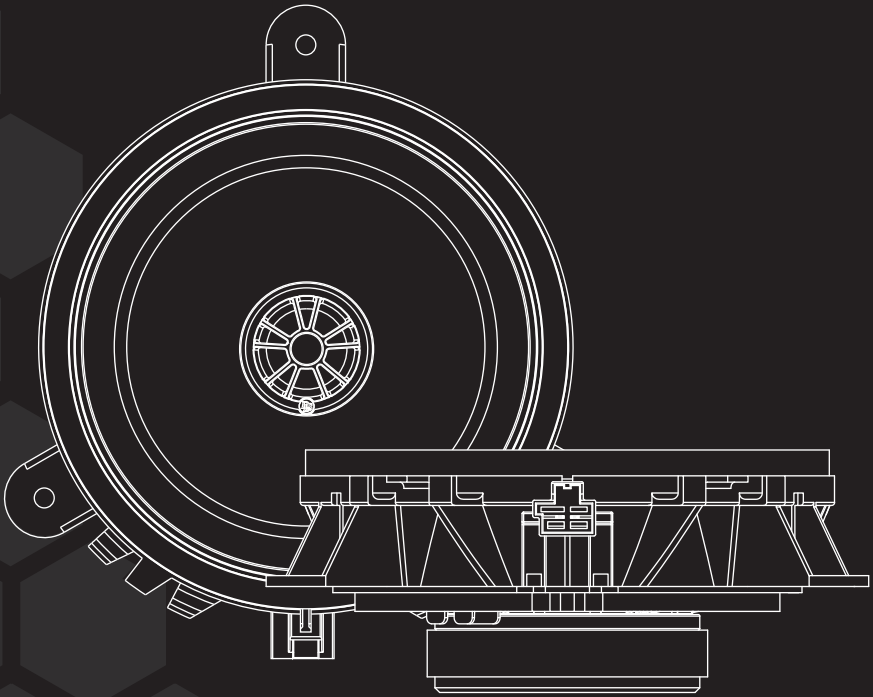


SWEDISH • AUDIO • PASSION



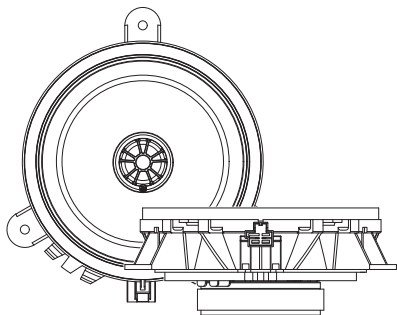
# CRPP-VO1.6CX

User manual

VOLVO



CRUISE



### Welcome to DLS!

Thank you for buying a DLS Cruise CRPP-VO1.6CX. For us, it's all about the sound experience. We care deeply about sound and construction quality. In order for your experience to be as optimal as possible, it is important that you fully read this manual, preferably before you start your installation. Keep the manual in a safe and accessible place for future reference.

Your speakers must be installed correctly in order to work as intended. Make sure you have all necessary tools nearby before starting and that you are completely confident in how to proceed. If you feel the slightest uncertainty; feel free to take the help of an experienced installer or a car audio dealer.

### Warranty

This coaxial speaker is covered by warranty, depending on the conditions in the country where it is sold. If the speaker is returned for service, please include the original dated receipt with the product.

### General

Some sound systems may vary in size of the door speaker. Make sure that your vehicle has the same size as this coaxial speaker, before you start the assembly

This is a generic mounting instruction. The approach is similar to all of the described car models. Some screws and clips may be placed differently and depending on your car model.

### Declaration of conformity

DLS plug and play speakers for vehicles are manufactured in accordance with the EU directive EEC 95/54 (72/245/EEC) and are marked with the approval number. They are also marked in accordance with the WEEE-directive 2012/19/EC. The products are also produced in accordance with the EU RoHS directive 2015/863/EU.

# DLS CRUISE

## CRPP-VO1.6CX

### Content

Welcome	1
Pre installation	2
Dismount door panel	2
Remove door speaker	3
Mount door speaker	4
Running-in time	5
Technical assistance	5
Specification speaker	6
Compatible car models	8
Product markings	9



DLS speakers are engineered by DLS Sweden, a part of:

### Winn Scandinavia AB

Elementvägen 15 - SE-702 27 Örebro - Sweden  
Tel: +46 19 20 67 65 - E-mail: info@dls.se  
www.dls.se

**Designed & Sound tuned in Sweden.**



### Included products:

2pcs Coaxial speakers

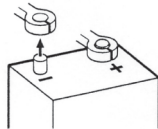
### Included in box:

4pcs Adhesive foams for wrapping  
4pcs Terminal crimp connectors  
8pcs Blind rivets  
1pc Pry tool  
1pc Manual

## Pre installation

### Disconnect Battery

Before you start the process of replacing speakers, disconnect and secure the negative terminal from your battery/power source. This will prevent the risk of damaging yourself or the products.



Place the disconnected terminal in a secure and isolated location away from any possible connection belonging to the battery/power source system.

## General info

Some sound systems may vary in size of the door speaker. Make sure that your vehicle has the same size as this coaxial speaker, before you start the assembly

This is a generic mounting instruction. The approach is similar to all of the described car models. Some screws and clips may be placed differently and depending on your car model.

The DLS CRPP-VO1.6CX can be installed instead of DLS CRPP-VO1.6 but the OEM tweeter wire in this case, still be connected. The sound improvement will not be as good as with the CRPP-VO1.6

## Installation

### Dismount door panel

Dismount the front door by removing the cover of the door panel.

**Hint:** Use plastic PRY tools to avoid marks on the panels or damaging the plastic clips.



If your door has a corner cover (1) or a tweeter cover (2), you need to remove them first.

Corner cover is attached with 2 clips and the tweeter cover is usually attached with 2 or 3 clips.

Remove the door lock knob before removing the door panel.



Remove the electric window panel and disconnect the plug on the back side of the panel. Always use plastic PRY tools when removing panels and interior, to avoid marks on the panels and leather.



Depending on car model, the amount of screws and placement can vary. In most cases the screws used are Torx T25.



Be careful when removing the door panels and lids. Use PRY tools.



Some newer models, don't have plastic clips to hold the door in place. Just remove the screws and gently press the door panel up. Be careful with the door lock knob. Just move the panel straight up.

There are several electric and mechanical connectors on the backside of the door panel. Release the door lock cable.

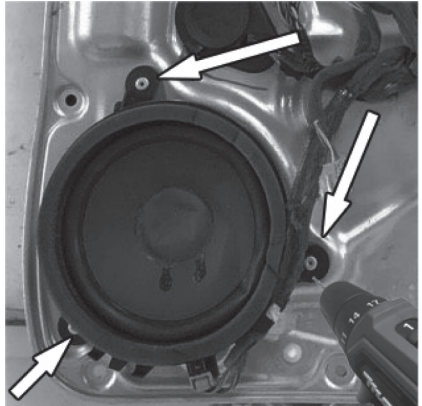


Disconnect all cables for lighting, speaker cable harness and any other connections.

## Remove door speaker

The door speakers are either fixed with rivets or screws. Make sure you have correct tools for each operation.

### RIVETS



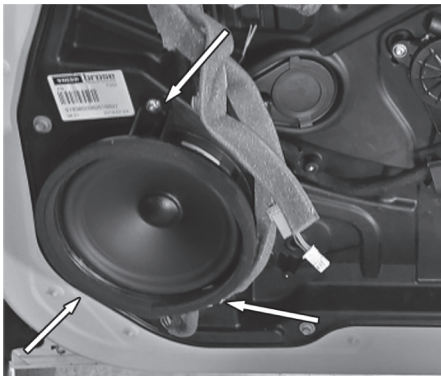
Use a 4mm drill to remove the rivets. Make sure all remains from the old rivets are removed from the inside of the door.

Just drill enough to remove the top of the rivets. Remember to disconnect the speaker harness before unmounting the speaker.



## SCREWS

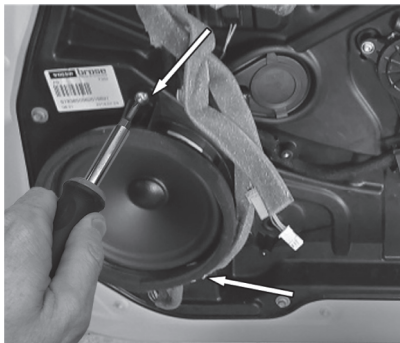
Speakers fixed with screws. Make sure to use correct tools to unscrew. Save the screws for reattachment.



## SCREWS (Mounting new speakers)

If the speakers were fixed with screws, DLS recommends using the OEM screws to fix the new DLS speakers. Use the correct screw bit.

Place the new DLS driver in the hole for the speaker and use the screws to fix the speaker.



## Mounting door speakers

### RIVETS (Mounting new speakers)

If the speakers were fixed with rivets, DLS recommends using a rivet tool to fix the new DLS speakers. (Not included in CRPP-VO1.6CX)

Place the new DLS driver in the hole for the speaker. Use a rivet tool and rivets to safely mount the driver. (Step 3 might be done several times)

1. Insert rivet



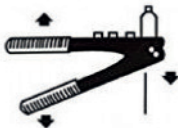
2. Plug in the rivet tool



3. Press handles



4. Remove the pin



Connect the speaker harness. Start the assembly of the door panel. Reconnect all wires harness.



Connect all plugs to the door cover, reconnect the unlocking device, place the door cover from the top, by the window seal and push it gently down.

Make sure the clips are in place and can engage. Give the door panel a push by the hand to attach to the clips. Mount and fasten all screws to the correct places. Remember to put the door locking knob back.



## ***Finally***

Start assembling the covers again to finish the work. Make sure that no screws or clips are left over. Reconnect the battery/power source terminal.

Finally, it's time to play some good music and enjoy!



## ***Running-in time***

Allow the coaxial speaker to play for at least 15-20 hours in order to perform at its possibly best. This run-in can be made with tone sweep or with just music.

Start at a moderate volume and increase the volume step by step during the running in period. After the 15-20 hour run in session the performance and characteristics will be in the correct condition.



## ***DLS Support***

For technical assistance, ask your car audio dealer where the product was sold or the distributor in your country. You can always contact the DLS Helpdesk in Sweden at e-mail: [info@dls.se](mailto:info@dls.se). Information can also be found on our WEB-site [www.dls.se](http://www.dls.se). We follow a policy of continuous advancement in development. For this reason, all or part of the specifications and designs may be changed without prior notice.



# Specifications

**Art. no CK-CRPP-VO1.6CX**

Woofer 6.5" / 165 mm with glass fiber cone  
Tweeter 1" / 25 mm silk dome tweeter with accessories  
RMS Power 90 W  
MAX Power 180 W  
Impedance 4 Ohm  
Sensitivity 90dB 1W / 1M  
Freq. range 65 Hz - 25 kHz  
Crossover 4.8 kHz 6dB / Oct with Mundorf caps

**DLS Cruise CRPP-VO1.6CX Tweeter**

Technical Specification:  
Size 1" / 25.4 mm  
Voice Coil Material CCAW voice coil / Aluminium former  
Frame Glass Fiber Reinforced ABS  
Magnet Neodymium / Copper shorting ring  
Cone Natural silk dome

**DLS Cruise CRPP-VO1.6CX Woofer**

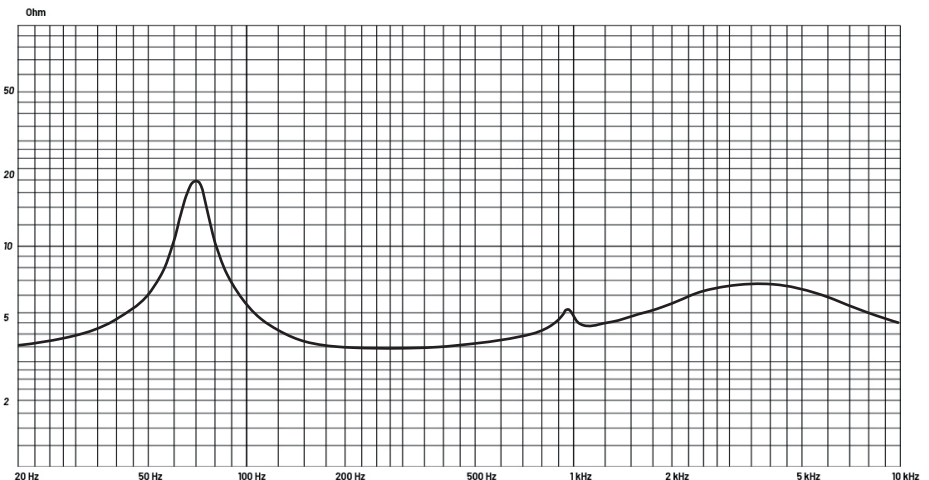
## Technical Specification

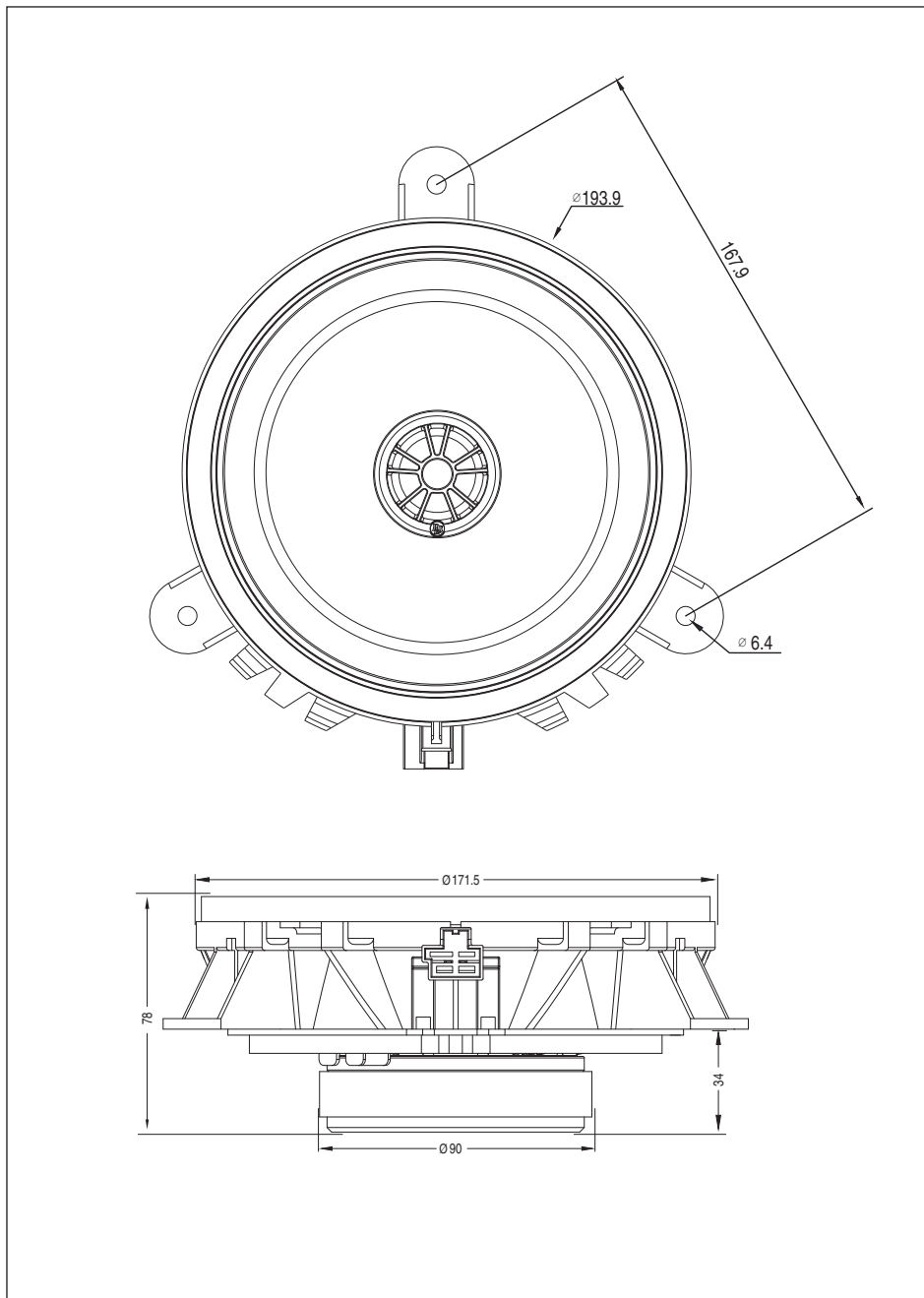
Size 6.5" / 165 mm  
Voice Coil Size 1" / 25mm  
Voice Coil Material CCAW voice coil / Kapton former  
Basket Glass Fiber Reinforced ABS  
Magnet Ferrite  
Cone Glass Fiber  
Suspension Rubber

## Electro-Acoustic Parameters

Re 3.2 Ohm  
Fs 70.8 Hz  
Mms 10.7 gr  
Cms 0.426  
Vas 14.1L  
Qts 0.92  
Qes 1.05  
Qms 7.0  
Bl 4.37 T.m  
Spl 87.1 dB 1W/1M  
Sd 139 cm<sup>2</sup>

## Impedance VS Frequency









## **DLS Cruise CRPP-VO1.6CX**

The DLS coaxial speaker is developed to be installed in the back door of your car. However, you can mount CRPP-VO1.6CX in the front door even if an OEM component kit is installed in your car. The tweeter level will be different due to the placement of the tweeter in the coaxial speaker and your OEM tweeter will still be connected, by default to your stereo.

### **DLS Cruise CRPP-VO1.6CX compatible car models**

<b>Car</b>	<b>Model</b>	<b>Year</b>	<b>Front speaker</b>	<b>Rear speaker</b>
Volvo	C30	2007-2013	CRPP-VO1.6CX*	CRPP-VO1.6CX
Volvo	S40	2008-2012	CRPP-VO1.6CX*	CRPP-VO1.6CX
Volvo	S80	2007-2017	CRPP-VO1.6CX*	CRPP-VO1.6CX
Volvo	S60	2011-2017	CRPP-VO1.6CX*	CRPP-VO1.6CX
Volvo	V70	2008-2016	CRPP-VO1.6CX*	CRPP-VO1.6CX
Volvo	V40	2012-2016	CRPP-VO1.6CX*	CRPP-VO1.6CX
Volvo	V50	2004-2012	CRPP-VO1.6CX*	CRPP-VO1.6CX
Volvo	V60	2011-2017	CRPP-VO1.6CX*	CRPP-VO1.6CX
Volvo	V60 XC	2016-2017	CRPP-VO1.6CX*	CRPP-VO1.6CX
Volvo	XC70	2008-2016	CRPP-VO1.6CX*	CRPP-VO1.6CX
Volvo	XC60	2009-2017	CRPP-VO1.6CX*	CRPP-VO1.6CX

**\*Disclaimer**

The coaxial speaker can be placed in the front doors, but not optimal.

# Product markings



The crossed-out wheelee bin symbol means that the product, literature and packaging included must be taken to separate collection at the end of their working life. Do not dispose of these products as unsorted municipal waste: take them for recycling. For info on your nearest recycling point, check with your local waste authority.



This product has been granted with the CE certification mark to show that the product follows the health, safety, and environmental protection standards for products sold within the European Economic Area (EEA).



DLS products complies with the relevant provisions of the RoHS Directive for the European Union. In common with all Electrical and Electronic Equipment (EEE) the product should not be disposed of as household waste. Alternative arrangements may apply in other jurisdictions.



DLS is a global partner of the European Mobile Media Association, an organisation that focus on promoting the custom made mobile media installations to consumers.

We follow a policy of continuous advancement in development. For this reason all or part of specifications & designs may be changed without prior notice. We reserve for possible typos, factual or numeric errors that may have been printed on any products, package designs, user manuals and/or other included accessories.





CRUISE **E**