

9. Mount switches to new fascia plate



10. Connect all required circuit points

Fix double DIN head unit on dashboard



11. Place fascia plate to finish installation



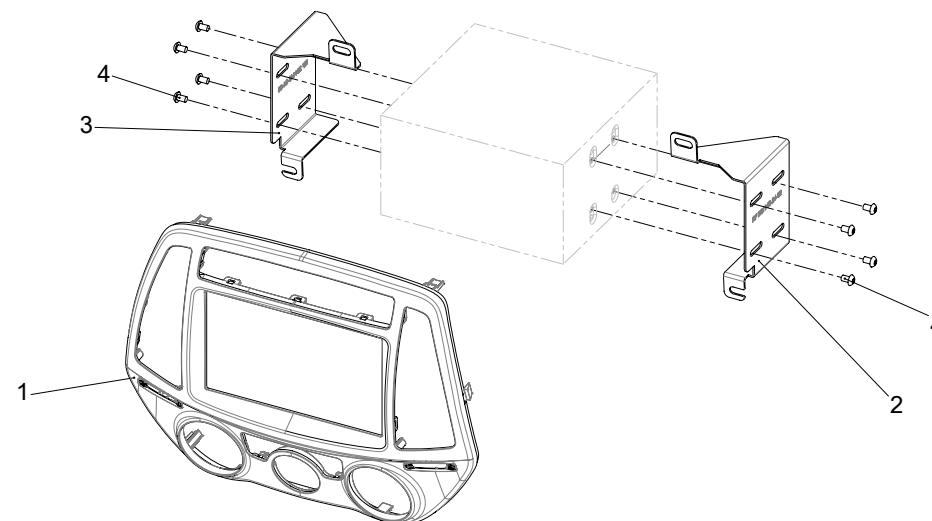
Double DIN Installation Manual

colour / part-no.:
silver / 381143-24-1

• Hyundai i20 2013 >
(with manual air condition)

Compatible with double DIN devices

Double DIN Navigation

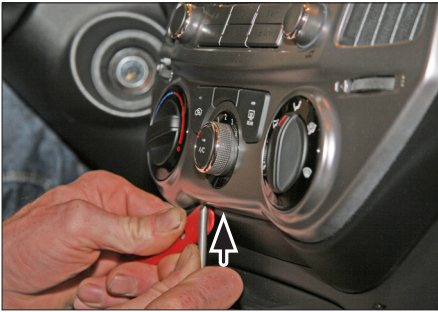


- (1) Facia Plate
- (2) Mounting bracket right
- (3) Mounting bracket left
- (4) flat headed screw

All installation work must be performed by a qualified professional installer only.
The manufacturer / dealer is not liable for any kind of incidental or indirect damages.



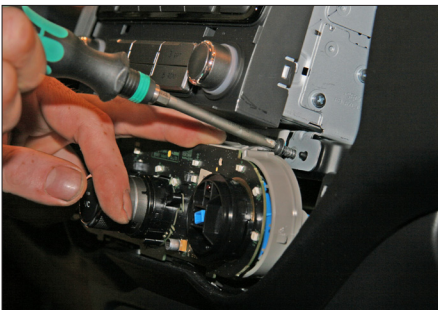
1. Hyundai i20 OEM dashboard



2. Unclip OEM bezel



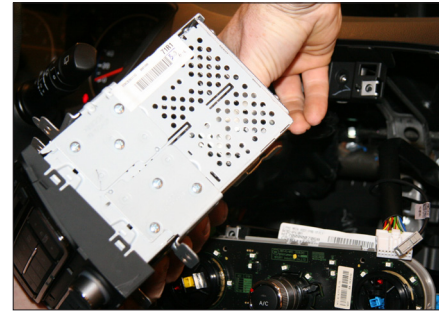
3. Remove OEM bezel



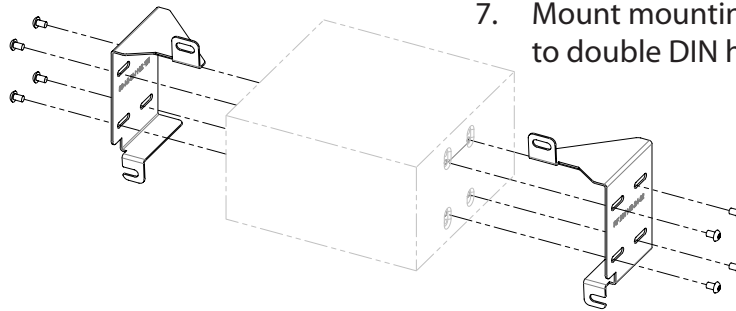
4. Remove screws of OEM head unit



5. Remove screw on top of OEM head unit



6. Remove OEM head unit
Remove switches (bottom)
Remove hazard light switch



7. Mount mounting brackets to double DIN head unit



8. Mount OEM air vents to new facia plate
Mount hazard light switch to new facia plate