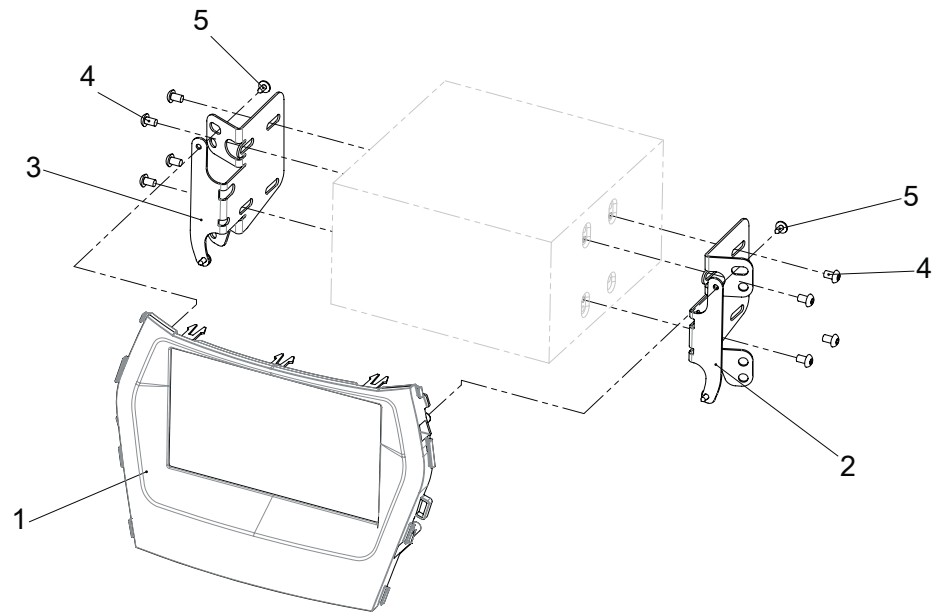




Installation Manual Double DIN Kit

black: 381143-25

• Hyundai Santa Fe (DM) 09/2012->



Double DIN Kit contents

- (1) Facia Plate
- (2) Mounting Bracket Right
- (3) Mounting Bracket Left
- (4) Flat Headed Screw
- (5) self-tapping screw with collar

Installation Manual



1. Hyundai Santa Fe OEM dashboard



5. Attach mounting brackets to double DIN head unit
Attach fascia plate

Connect all required circuit points place head unit on dash board



2. Unclip air vents at left and right side



3. Remove 4 screws at left and right side of OEM head unit
(see arrows)



4. Remove OEM head unit by pulling it towards your direction