



8. **Applies for part-no.: 381143-33-3 only:**
 (Vehicles equipped with a clock)
 Remove clock and install it into the new fascia plate



9. Mount mounting brackets to double DIN head unit
 Connect all circuit points
 Install double DIN unit into dash board
10. Reinstall everything in reverse order to finish installation

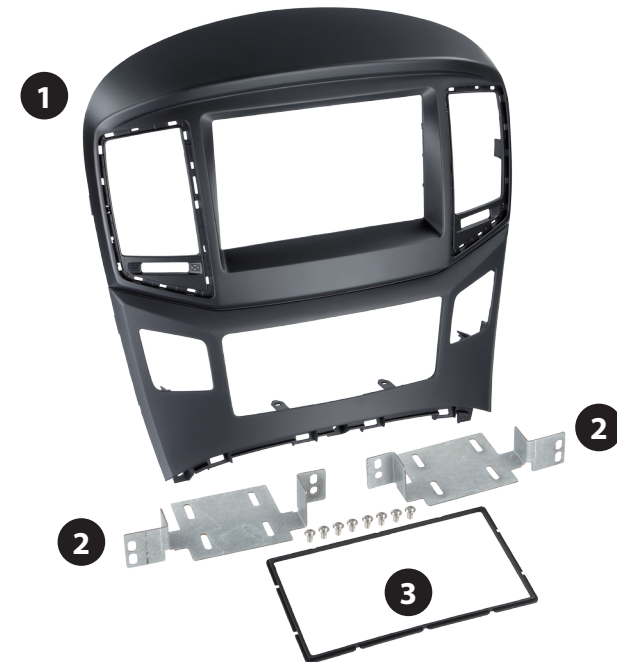


Installation Manual Double DIN Kit

colour	part-no.
black	381143-33-1
black/silver	381143-33-2
black/silber with clock	381143-33-3

• Hyundai H1 2015->

Compatible with these Double-DIN devices:



Kit Content:

- (1) Facia Plate
- (2) Mounting Brackets
- (3) Trim Frame

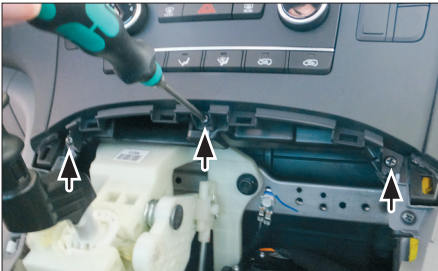
Installation Manual Double DIN Kit



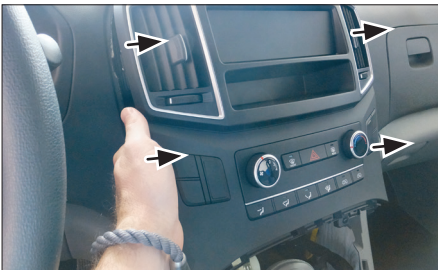
1. Unclip and remove panel by pulling it towards into your direction



2. Unplug cables carefully



3. Remove screws of OEM panel (see arrows)



4. Remove panel by pulling it towards your direction



5. Unplug all cables carefully



6. Remove OEM clips and put them to the new facia plate



6. Remove air conditon control unit / buttons and install them into the new facia plate



7. Remove silver trim frames from air vents and install them into the new facia plate

*All installation work must be performed by a qualified professional installer only.
The manufacturer / dealer is not liable for any kind of incidental or indirect damages.*