



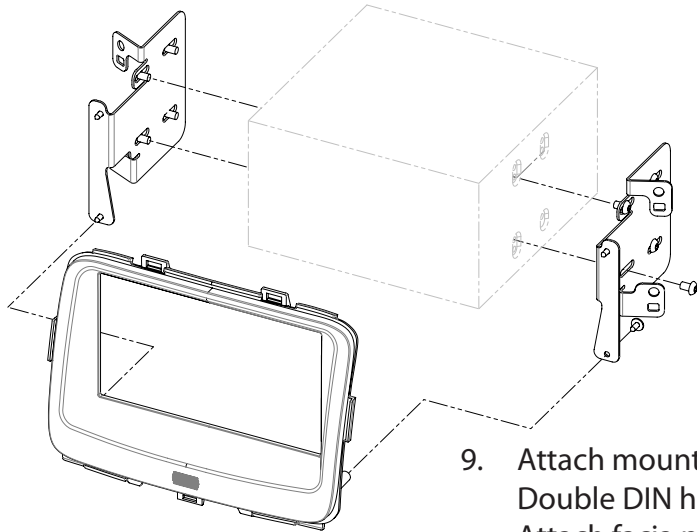
## Installation Manual Double DIN Kit

colour                      part-no.  
black                        381178-36

### • Kia Carens 2013->

Compatible with these double DIN devices

### Double DIN Navigation



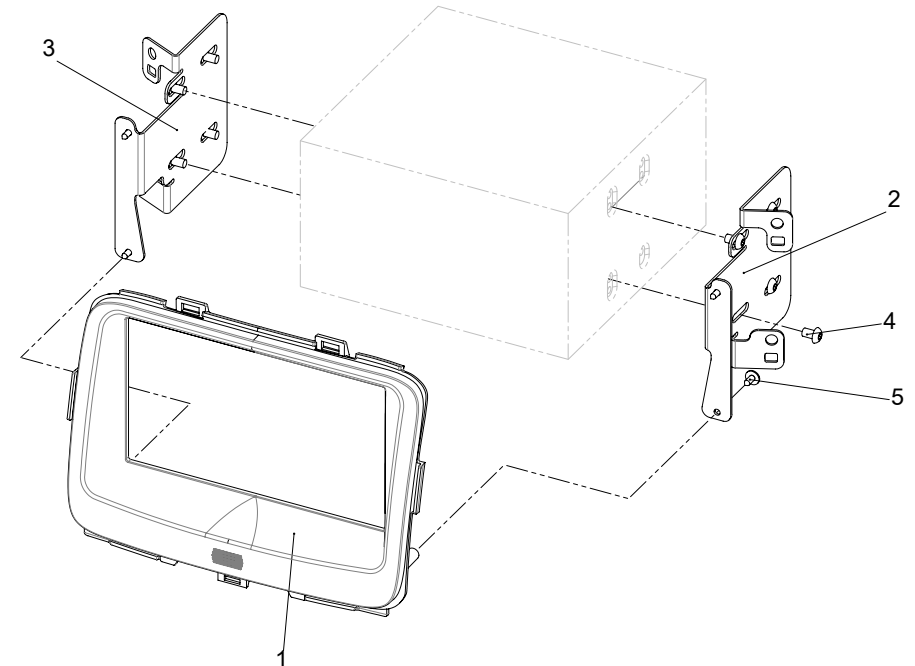
9. Attach mounting brackets to Double DIN head unit  
Attach fascia plate to mounting brackets



10. Connect all required circuit points  
place Double DIN head unit on dash board



11. Install everything in reverse order  
to finish installation



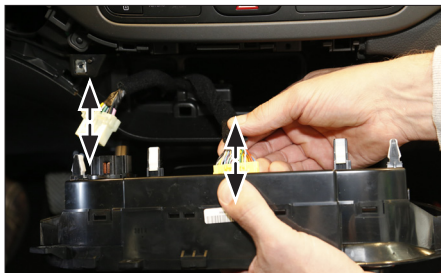
- (1) fascia plate
- (2) mounting bracket right
- (3) mounting bracket left
- (4) flat headed screw
- (5) self tapping screw with collar



1. Unclip and remove OEM panel (see arrow)



2. Remove 3 screws (see arrows)



3. Pull air condition control unit towards your direction  
Unplug cables carefully



4. Remove 2 screws located under OEM head unit (see arrows)



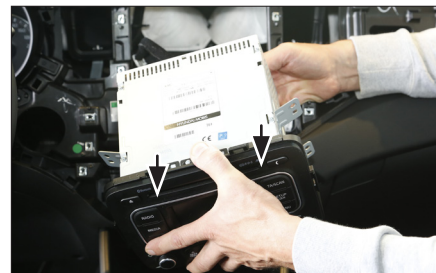
5. Pull OEM panel toward your direction carefully



6. Unplug cables of OEM panel carefully  
Remove OEM panel



7. Remove 4 screws of OEM head unit (see arrows)



8. Unplug cables carefully and remove OEM head unit