



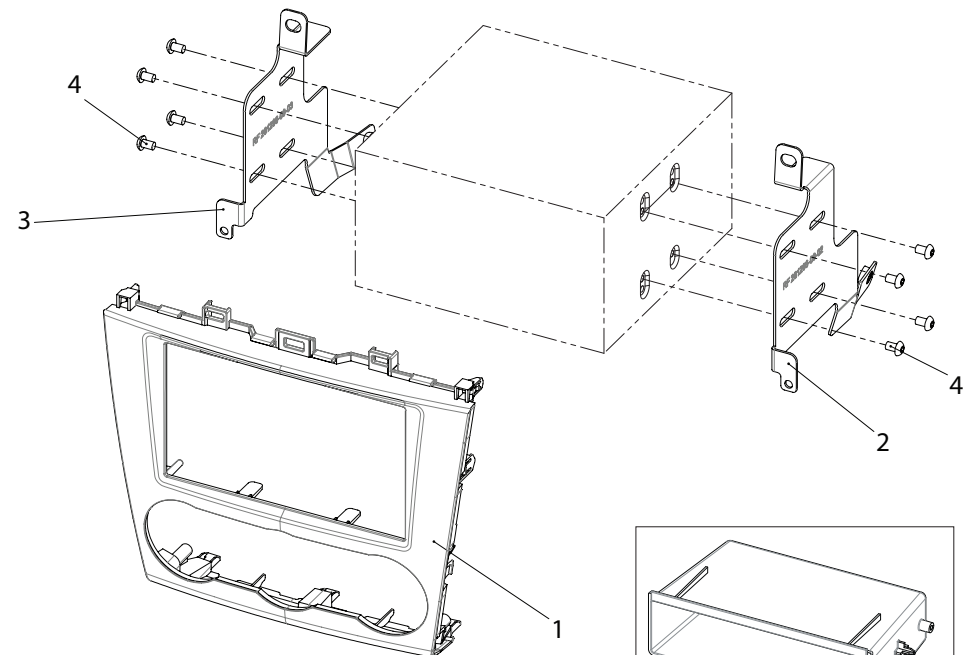
Installation Manual Double DIN Kit

colour:	piano-black
2-DIN	381296-09-1
2-DIN with pocket	281296-09-1
2-DIN with Inbay®-pocket	241296-09-1

• Subaru Forester (SJ) Facelift 03/2015->

Compatible with these double DIN devices

Double DIN Navigation

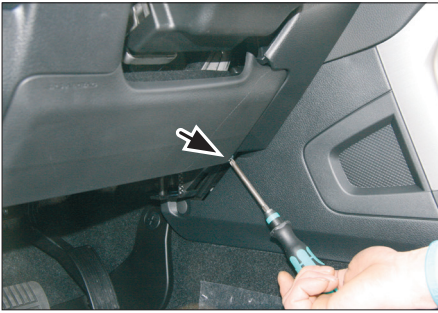


Double DIN Set contents

- (1) Facia Plate
- (2) Mounting Bracket Right
- (3) Mounting Bracket Left
- (4) flat headed screw

pocket (only 281296-09-1)

*Sämtliche Arbeiten dürfen nur durch versiertes Fachpersonal vorgenommen werden.
Der Hersteller / Händler haftet nicht für direkte oder indirekte Schäden, die durch eine fehlerhafte Installation verursacht wurden. Technische Änderungen vorbehalten.*



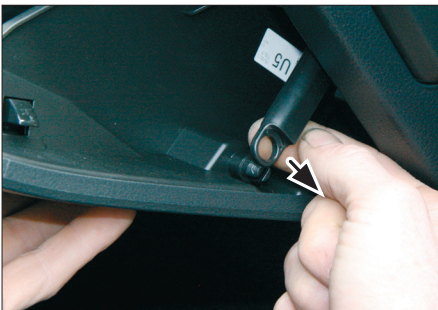
1. Remove screw of panel under the steering wheel



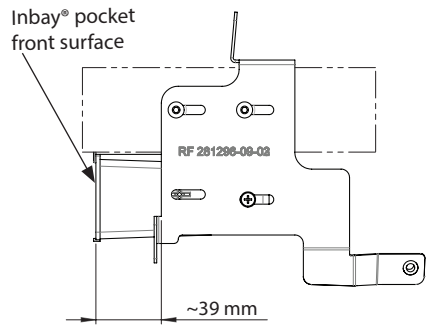
2. Remove panel under steering wheel



3. Remove screw (see arrow)



4. Unclip and remove glove box

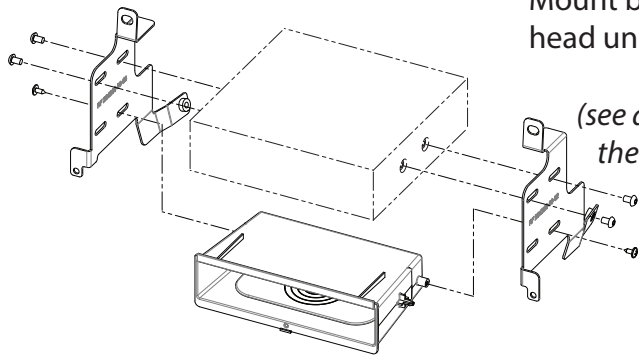


13c. 2-DIN with Inbay® pocket (241296-09-1) pre-assembly brackets

We recommend ~39 mm space to the front surface of the pocket

Mount brackets to 1-DIN head unit and Inbay® pocket

(see additional information in the separate Inbay manual)



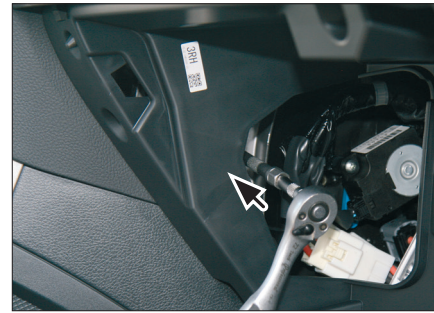
14. Connect all required circuit points

Mount preassembled head unit to dashboard

Mount facia plate to dashboard



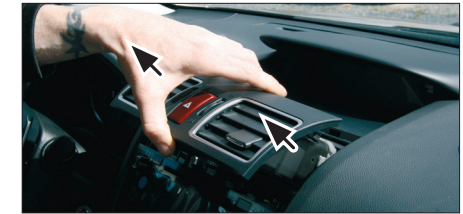
15. Install everything in reverse order to finish installation



5. Remove screw



6. Unclip and remove air vents (unplug cables carefully)

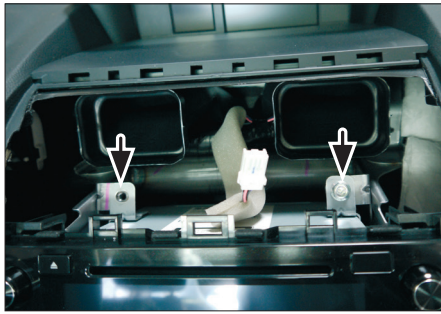


7. Remove deco panels on the left and right side

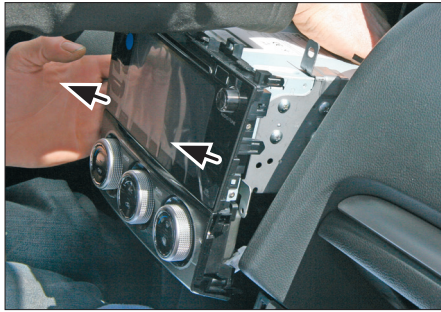


8. Remove screws (see arrows)

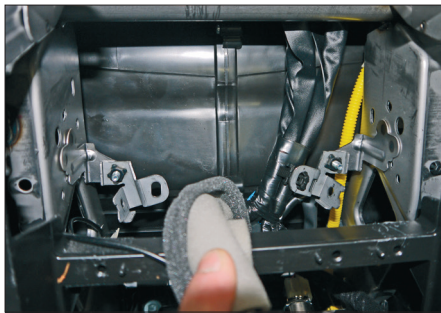




9. Remove screws of OEM head unit



10. Remove OEM head unit by pulling it towards your direction (unplug all cables carefully)



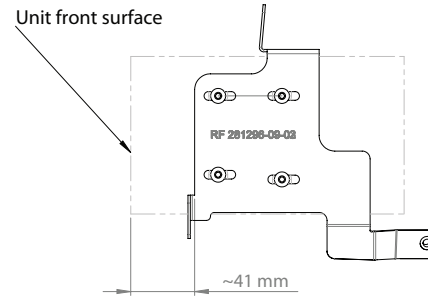
11. Dashboard with removed OEM head unit



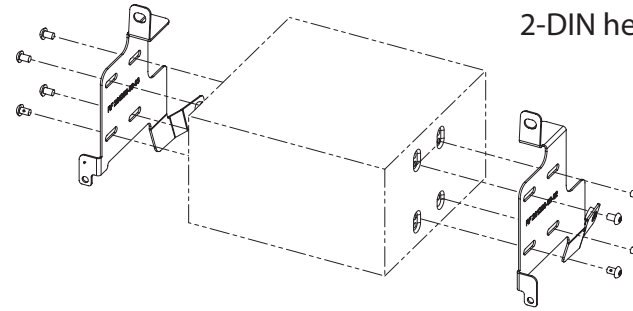
12. Mount climate control to new facia plate



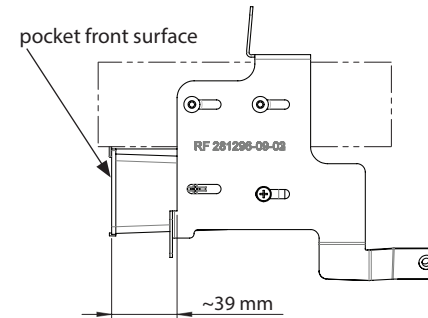
13a. 2-DIN (381296-09-1) pre-assembly brackets



We recommend ~41 mm space to the front surface of the double DIN head unit

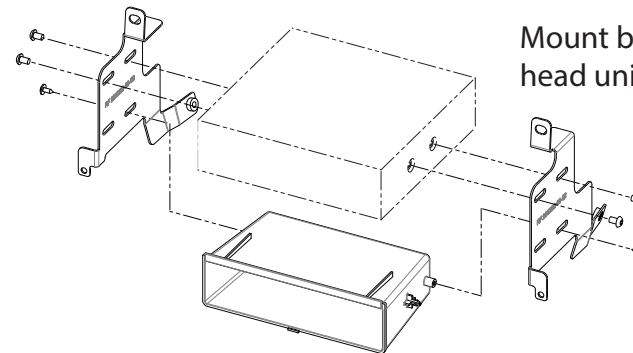


Mount brackets to 2-DIN head unit



13b. 2-DIN with pocket (281296-09-1) pre-assembly brackets

We recommend ~39 mm space to the front surface of the pocket



Mount brackets to 1-DIN head unit and pocket