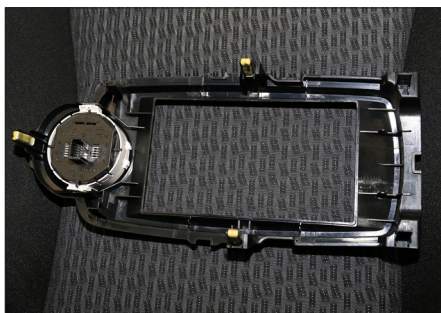




9. Push hazard light switch in new facia plate



10. Put OEM plastic clips on new facia plate



11. Connect hazard light switch unit place new facia plate



12. Reinstall OEM panel



All installation work must be performed by a qualified professional installer only.
The manufacturer / dealer is not liable for any kind of incidental or indirect damages.



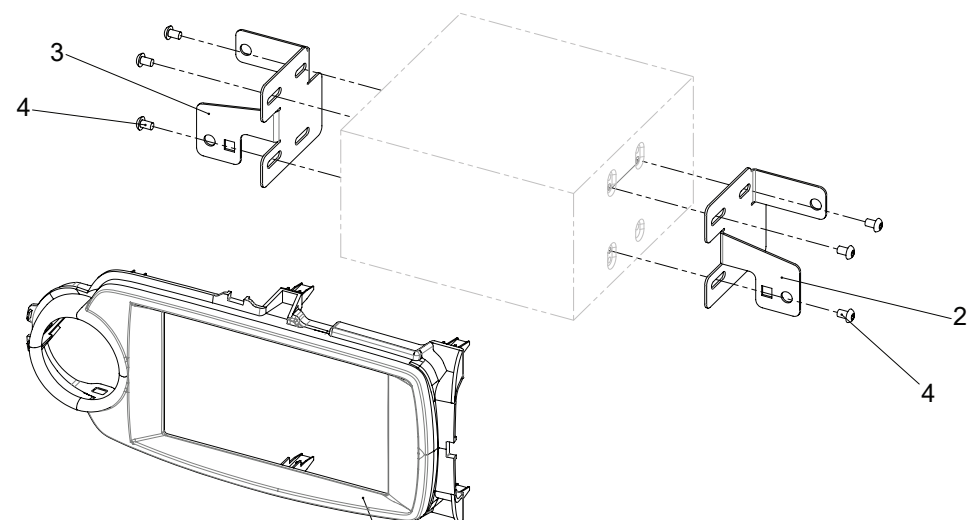
Double-DIN Kit Installation Manual

part-no.: 381300-25-x
colour: xxx

• Toyota Yaris (XP13) 10/2011->

Compatible with these navigation devices

Double DIN Navigation

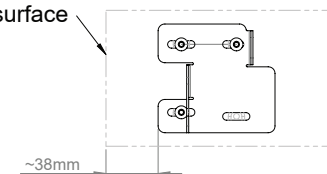


pre-assembly Unit and Brackets

Kit Content

- (1) Facia Plate
- (2) Mounting bracket right
- (3) Mounting bracket left
- (4) Flat Headed Screw

Unit front surface





1. Toyota Yaris OEM dash board



2. Unclip plastic panel - start from the right side



3. Remove whole plastic panel



4. Remove trim frame from OEM head unit

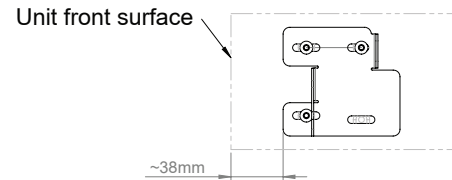


5. Unclip and remove hazard light switch modul from OEM trim frame



6. Remove 4 screws of OEM head unit
unplug all cables and remove OEM head unit

pre-assembly Unit and Brackets



7. Attach mounting brackets to double DIN head unit



8. Connect all required circuit points
Place Double DIN head unit on dash board
Fix double DIN head unit with 4 OEM screws