

**APPLICATIONS**  
**Cadillac Escalade**  
**2007-2009**

**CT23CA04**

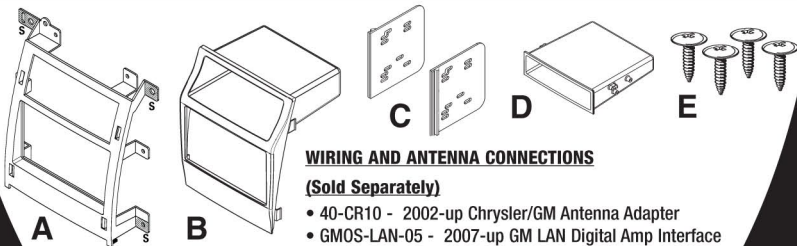
**KIT FEATURES**

- ISO Mount Radio Provision With Pocket
- Double DIN Radio Provision
- Stacked ISO Units Provision



**KIT COMPONENTS**

- A) Radio Housing • B) Radio Housing Trim Plate • C) Radio Housing Brackets • D) Pocket  
• E) 4) #8 3/8" Screws



**WIRING AND ANTENNA CONNECTIONS**

**(Sold Separately)**

- 40-CR10 - 2002-up Chrysler/GM Antenna Adapter
- GMOS-LAN-05 - 2007-up GM LAN Digital Amp Interface

**TOOLS REQUIRED:**

Small Flat Blade Screwdriver/ Panel Removal Tool

- Phillips Screwdriver • Socket Set



## **TABLE OF CONTENTS**

### **Dash Disassembly**

<b>- Cadillac Escalade 2007-2009.....</b>	<b>1</b>
---	----------

<b><u>Kit Preparation</u> .....</b>	<b>2</b>
-------------------------------------	----------

### **Kit Assembly**

<b>- ISO Mount Radio Provision with Pocket .....</b>	<b>3</b>
--	----------

<b>- Double DIN Radio Provision .....</b>	<b>4</b>
---	----------

<b>- Stacked ISO Units Provision .....</b>	<b>5</b>
--	----------

<b><u>Final Assembly</u> .....</b>	<b>6</b>
------------------------------------	----------

#### **\*Note:**

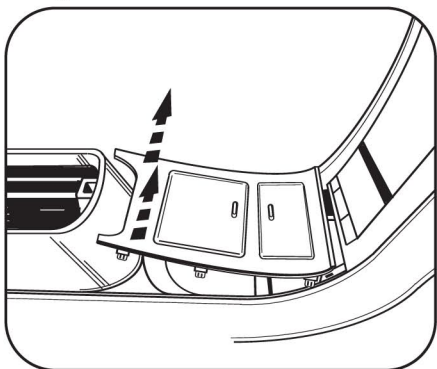
**Refer also to the instructions included with the aftermarket radio.**

## **CADILLAC ESCALADE 2007-2009**

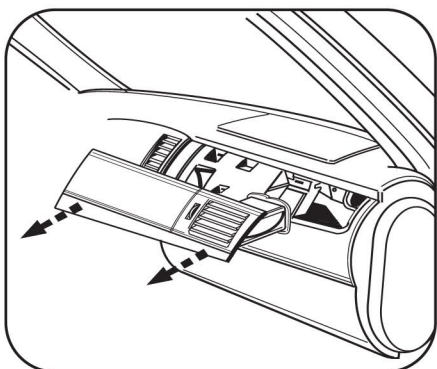
- 1** Disconnect the negative battery terminal to prevent an accidental short circuit.
- 2** Unclip and remove cup holder and ashtray assembly. (Figure A)
- 3** Unclip and remove the trim panel above the glove box including the a/c vent. (Figure B)
- 4** Unclip and remove the entire panel surrounding the radio including the a/c vents. (Figure C)
- 5** Remove (6) 9/32" screws to extract radio from dash. (Figure D)

*Continue to kit assembly.*

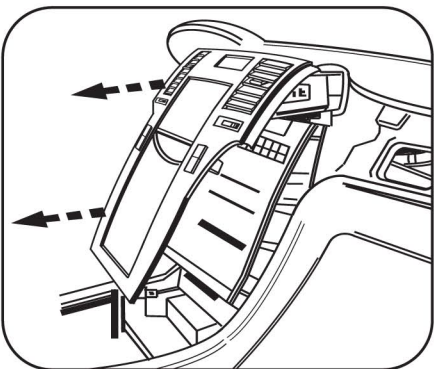
**A**



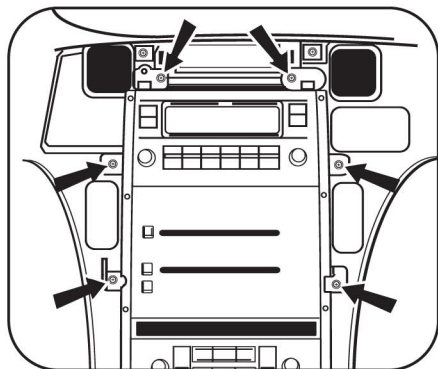
**B**



**C**



**D**



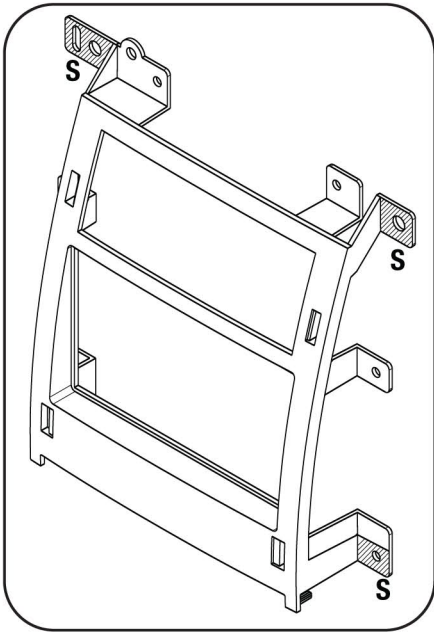
# **CADILLAC ESCALADE 2007-2009**

- 1** Cut and remove the shaded areas **marked with an "S" only** from the radio housing. (Figure A) Right side and top of Radio housing. (Figure B) Left side and top of Radio housing.

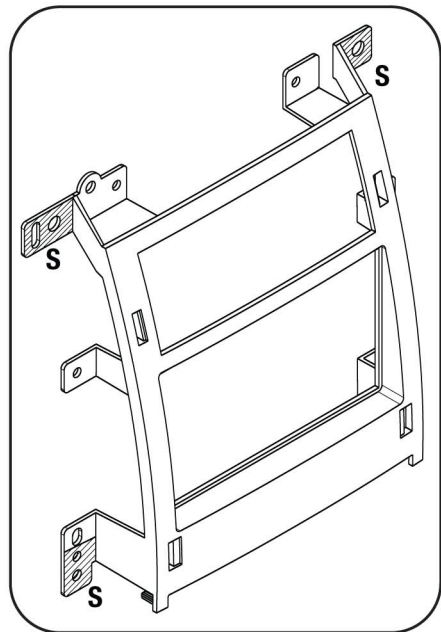
***NOTE: Do NOT remove the tab marked with both "S" and "E".***

*Continue to kit assembly.*

**A**



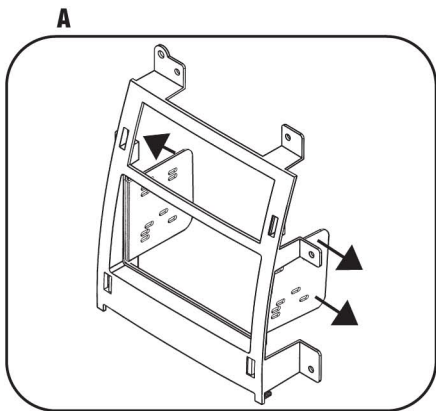
**B**



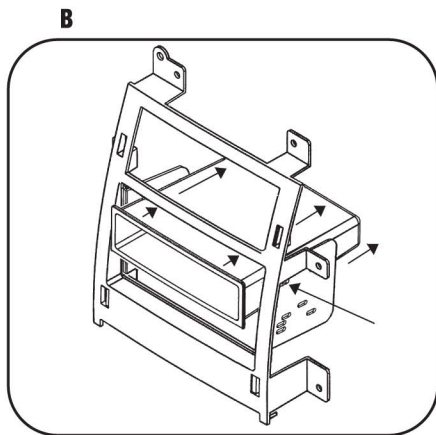
## ISO MOUNT RADIO PROVISION WITH POCKET

*\*Note: Refer also to the instructions included with the aftermarket radio.*

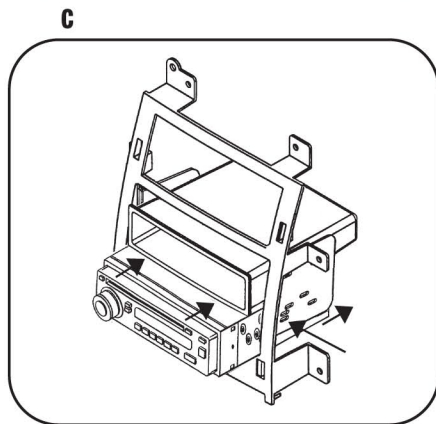
- 1 Flip the radio housing brackets upside down then snap them to the inside edge of the radio housing. (Figure A)



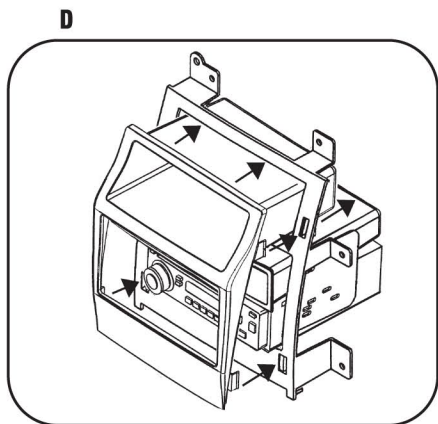
- 2 Slide the pocket into the top of the opening aligning the holes in the radio housing brackets with the bosses on the pocket and secure using the provided (4) #8 3/8" screws. (Figure B)



- 3 Slide the ISO radio into the opening below the pocket and secure the unit to the kit using the screws supplied with the radio. (Figure C)



- 4 Snap the radio housing trim plate onto the front of the housing. (Figure D)



*Continue to final assembly.*

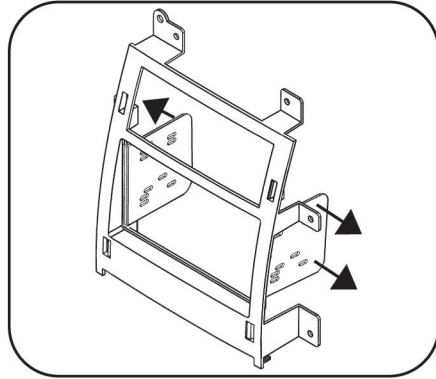
## DOUBLE DIN RADIO PROVISION

*\*Note: Refer also to the instructions included with the aftermarket radio.*

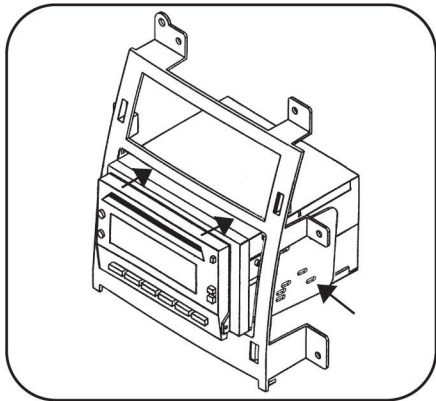
- 1 Attach the radio housing brackets to the inside edge of the radio housing. (Figure A)
- 2 Slide the Double DIN radio into the radio housing bracket assembly and secure the unit using the screws supplied with the radio. (Figure B)
- 3 Snap the radio housing trim plate onto the front of the radio housing. (Figure C)

*Continue to final assembly.*

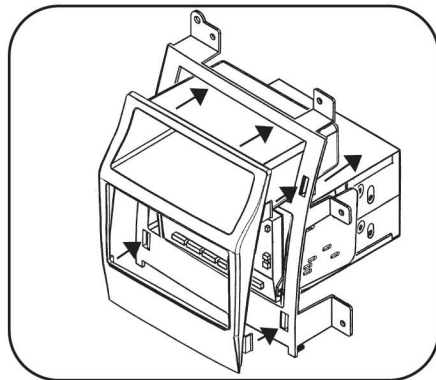
A



B



C



## STACKED ISO UNITS PROVISION

*\*Note: Refer also to the instructions included with the aftermarket radio.*

- 1 Attach the radio housing brackets to the inside edge of the radio housing. (Figure A)
- 2 Slide the stacked ISO units into the radio housing bracket assembly and secure the unit using the screws supplied with the units. (Figure B)
- 3 Snap the radio housing trim plate onto the front of the radio housing. (Figure C)

*Continue to final assembly.*

