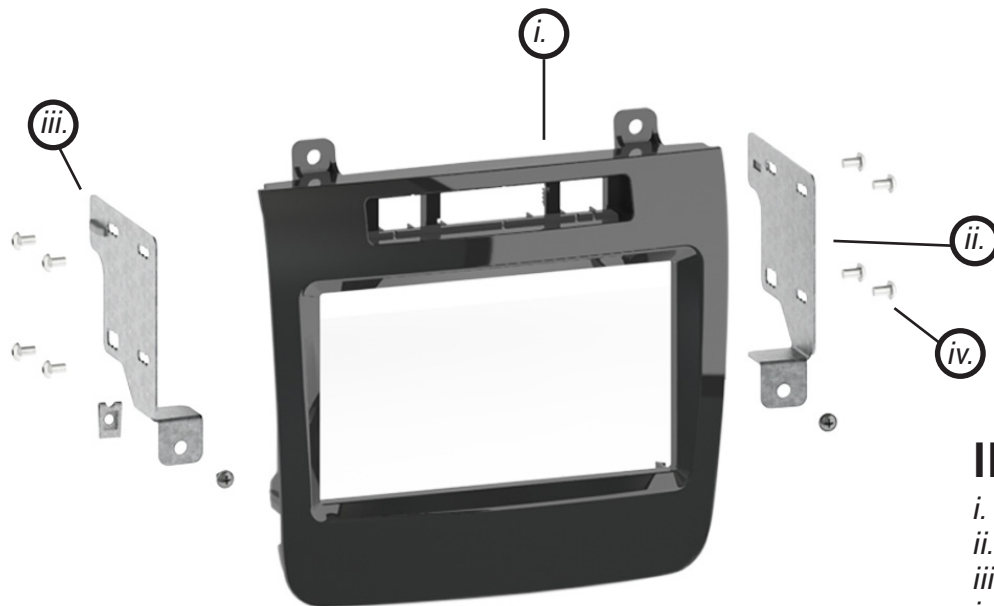




CT23VW08

Double DIN Fitting Kit for Volkswagen Vehicles



IN THE KIT

- i. Double DIN Fascia Panel
- ii. Stereo Bracket (L)
- iii. Stereo Bracket (R)
- iv. Screws

APPLICATION

Note: Application data is subject to change at any time

Touareg 2010 - 2015

RECOMMENDED TOOLS

- Panel Removal Tool
- Screwdriver

FEATURES

- Allows for the installation of a double DIN aftermarket stereo
- Includes mounting brackets and fitting accessories
- Finished in gloss black to match vehicle dashboard

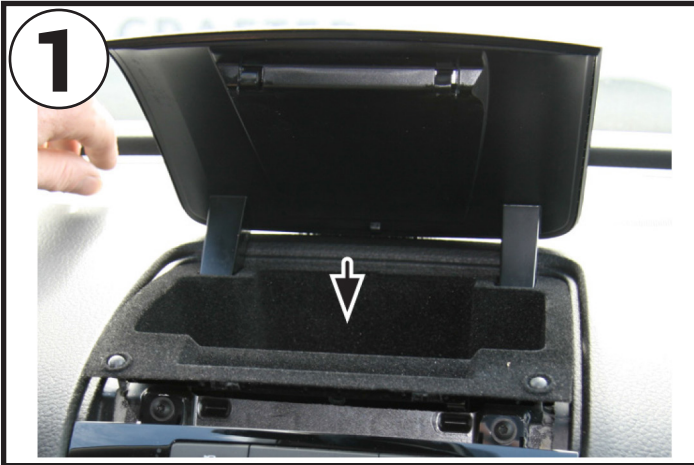
DISCLAIMER

The information provided in this document is subject to change without notice due to manufacturer changes and/or improvements to the product/s. This instruction manual is based on documented data and research. The manufacturer of this product cannot be held responsible for any changes made to the vehicle by the manufacturer or damages that may occur through the installation of this product in accordance with the steps outlined herein.

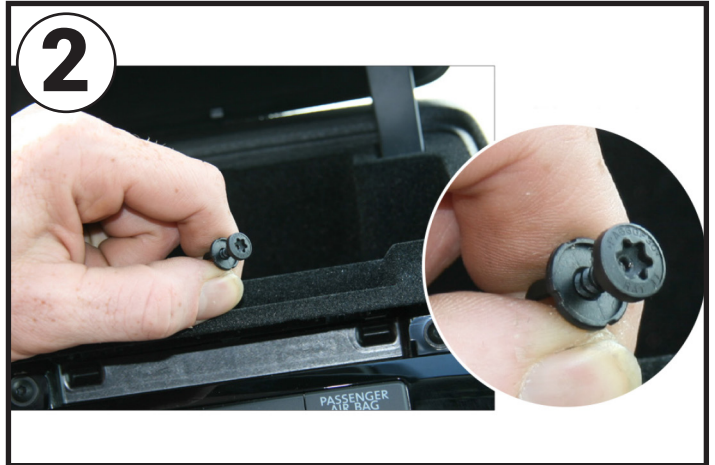
PRIOR TO INSTALLATION

Read the manual prior to installation. Technical knowledge is necessary for installation. The place of installation must be free of moisture and away from heat sources. Please ensure that the correct tools are using during the installation to avoid damage to the vehicle or product. Connects2 can not be held responsible for the installation of this product.

INSTALLATION GUIDE



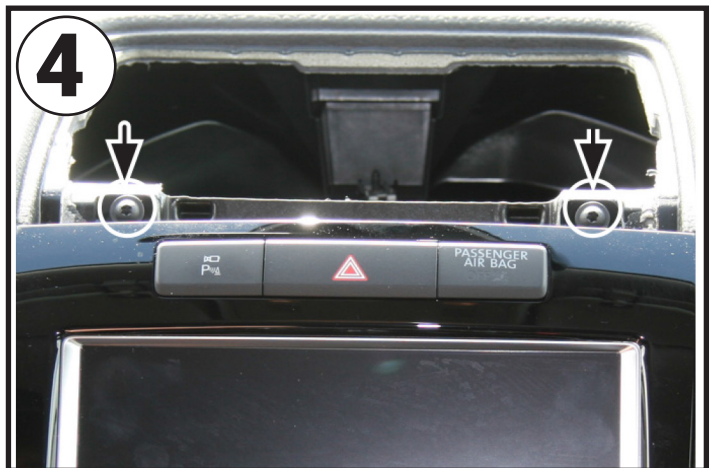
1 Open the upper dashboard tray and locate the screw (see arrow)



2 Using a screwdriver, remove the screw from the upper tray



3 With the screw removed, the entire upper tray can now be removed from the dashboard



4 Using a screwdriver, remove the two screws from the left and right brackets holding the OEM head unit in place



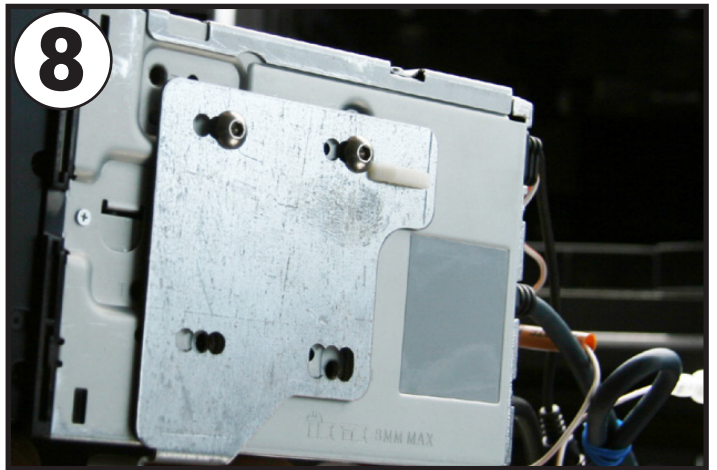
5 With the screws removed, the entire OEM head unit and panel can now be removed from the vehicle. Ensure all wiring to the OEM head unit is disconnected



6 Remove the button panel from the OEM fascia panel



7 Push the button panel from the OEM panel into the new fascia panel



8 Using the supplied screws, attach the right and left mounting brackets to the sides of the new head unit



9 Make all required connections to the new head unit and push it into the dash. Secure it in place using screws at the points highlighted by the arrows.



10 Surround the head unit with the new fascia panel



11 Reinstall the upper tray (reverse of Step 1 - 3)

