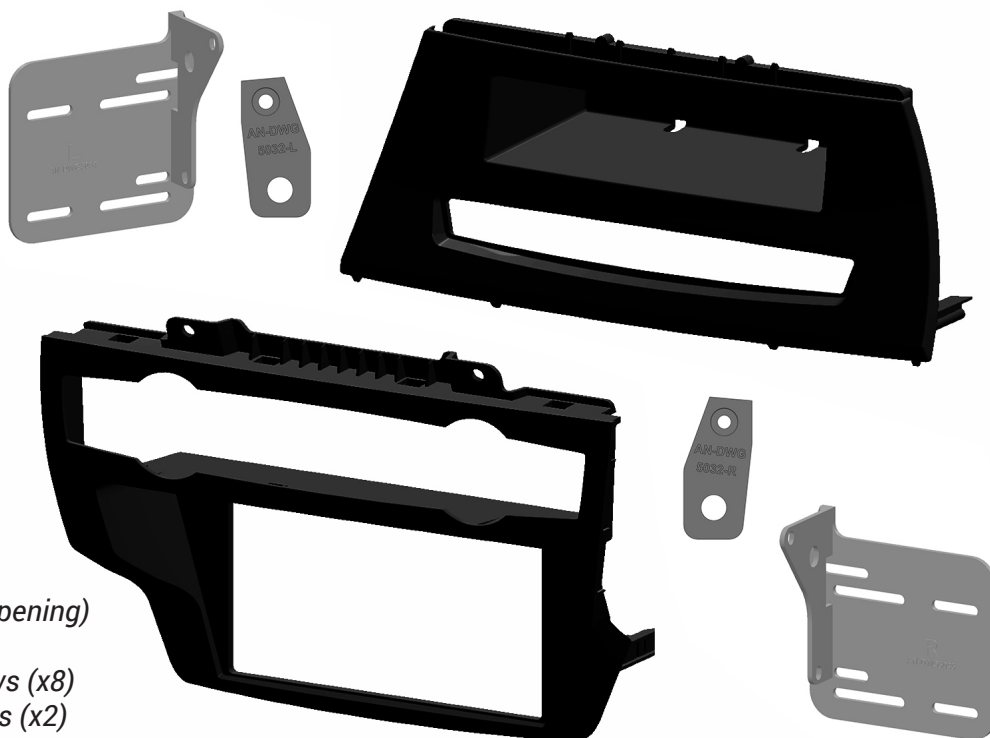




CT23BM19

Double DIN Fitting Kit for BMW Vehicles



IN THE KIT

- i. Upper Panel
- ii. Lower Panel (w/ 2DIN Opening)
- iii. Stereo Brackets (R/L)
- iv. M5 x 8 Hexsocket Screws (x8)
- v. 2.9 x 16 Pozi Pan Screws (x2)
- vi. Relocation Mount (x2)

APPLICATION

Note: Application data is subject to change at any time

BMW X5 (E70) 2007 - 2013

Note: When installing this fitting kit, the CTSBM009.2 interface is recommended to retain OEM vehicle features

RECOMMENDED TOOLS

- Panel Removal Tool
- Screwdriver

FEATURES

- Allows for the installation of a double DIN aftermarket stereo
- Retains OEM climate controls
- Includes mounting brackets and fitting accessories
- Finished in black to match vehicle dashboard

DISCLAIMER

The information provided in this document is subject to change without notice due to manufacturer changes and/or improvements to the product/s. This instruction manual is based on documented data and research. The manufacturer of this product cannot be held responsible for any changes made to the vehicle by the manufacturer or damages that may occur through the installation of this product in accordance with the steps outlined herein.

PRIOR TO INSTALLATION

Read the manual prior to installation. Technical knowledge is necessary for installation. The place of installation must be free of moisture and away from heat sources. Please ensure that the correct tools are using during the installation to avoid damage to the vehicle or product. Connects2 can not be held responsible for the installation of this product.

PLEASE NOTE THAT DASHBOARD MODIFICATION IS REQUIRED IN ORDER TO PROVIDE SPACE FOR THE DOUBLE DIN HEAD UNIT. SEE PAGE 3 FOR MORE DETAILS.

INSTALLATION GUIDE



BMW X5 (E70) OEM Dashboard



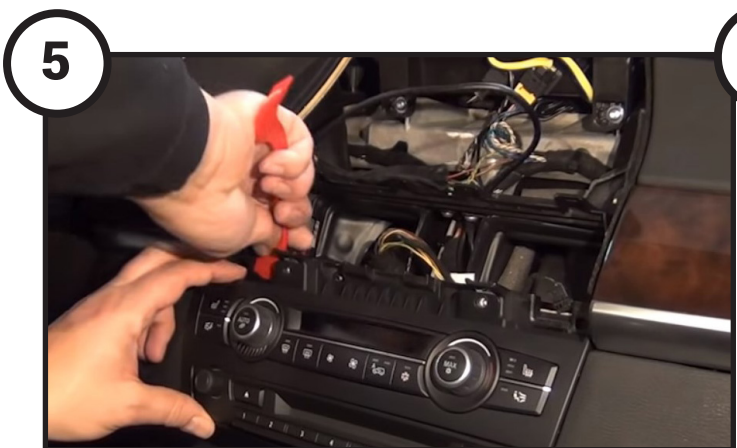
Use a panel removal tool to remove the air vents (circled).



Remove the two screws securing the upper OEM display. Disconnect and remove the display.



Remove the two screws securing the lower fascia panel

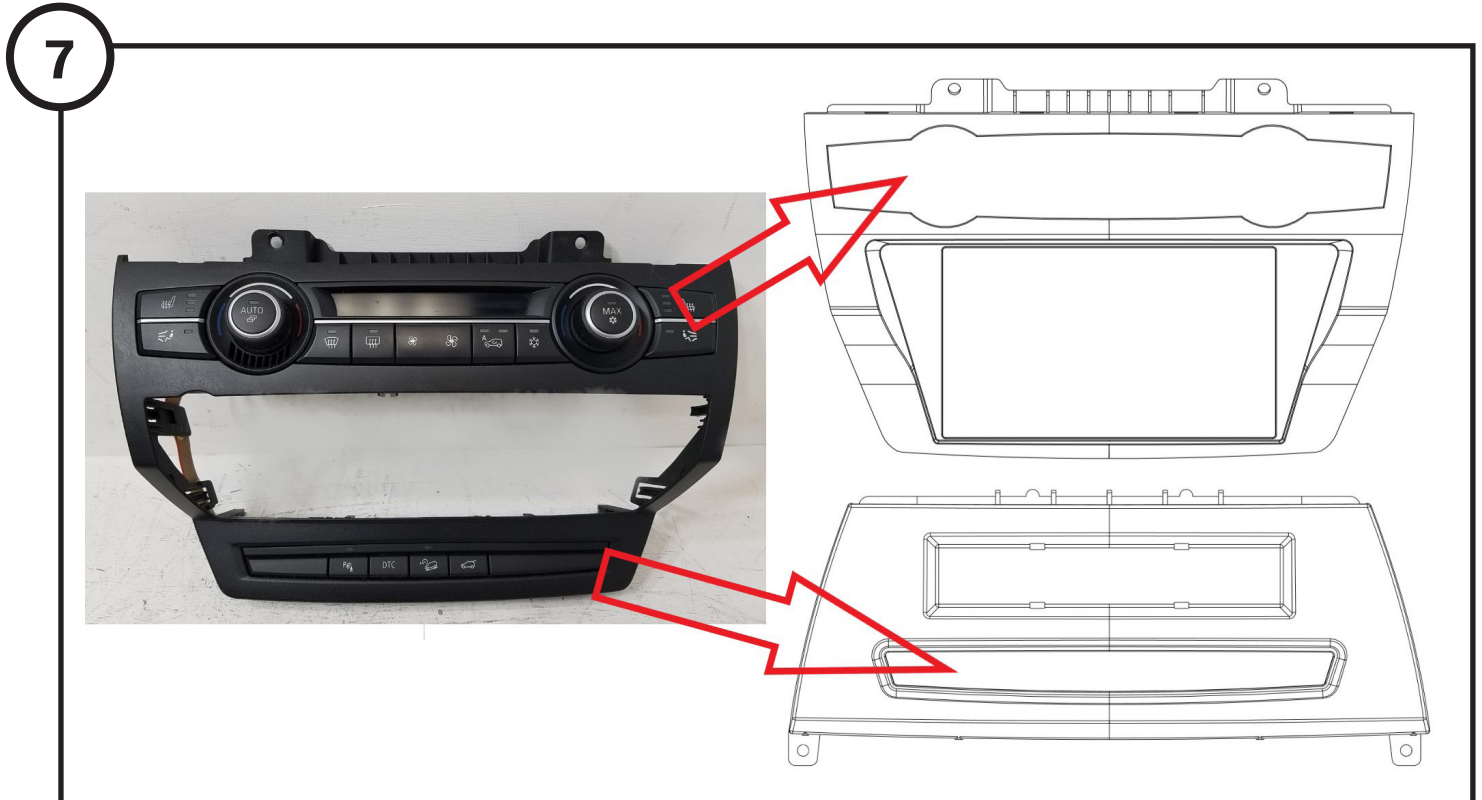


Use a panel removal tool to remove the lower fascia panel/ climate control assembly. Disconnect and remove the panel.

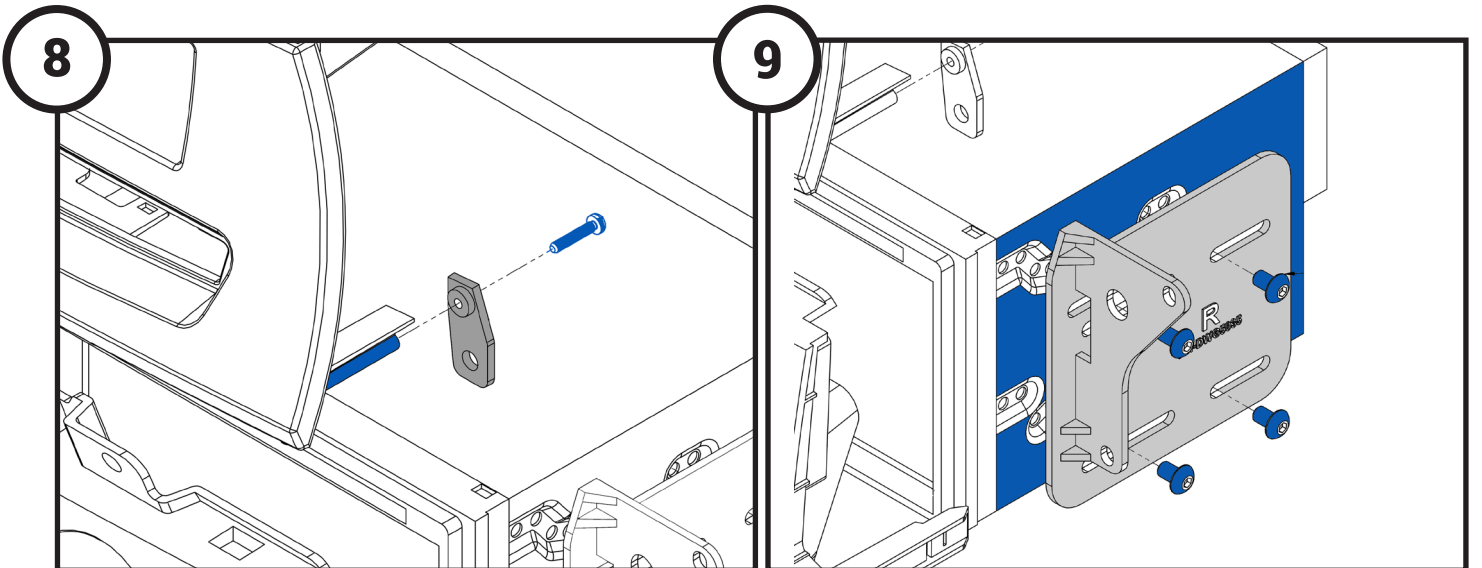


Remove the two screws securing the OEM head unit in place. Disconnect and remove the head unit.

INSTALLATION GUIDE



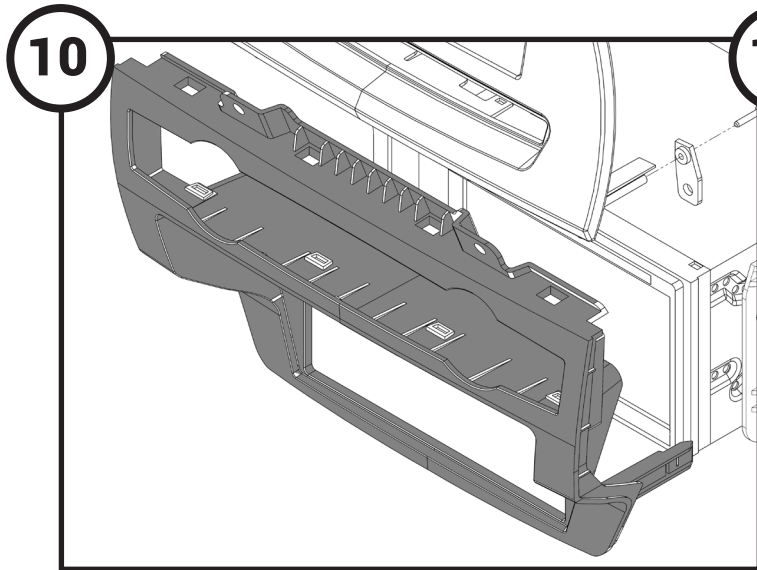
Relocate the climate control panel and switch panel from the OEM piece (left) to the top and bottom aftermarket pieces (right) as shown in the image. Remove the clips from the OEM piece and relocate them to the aftermarket fascia panel.



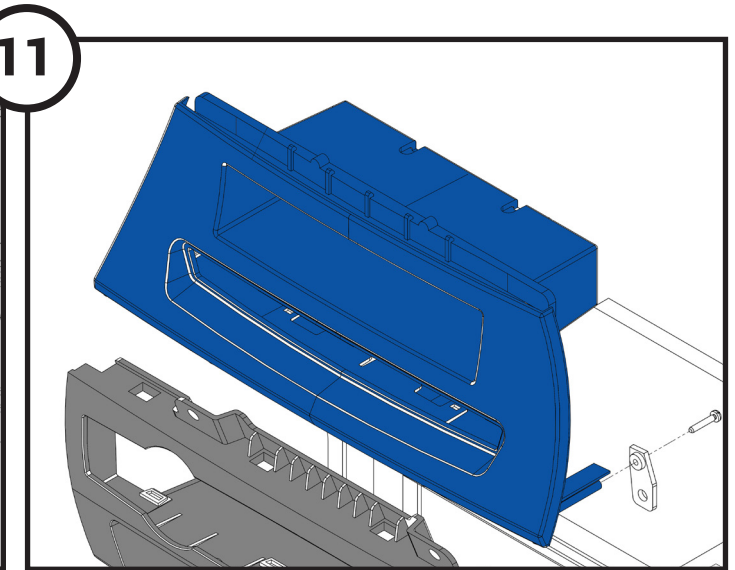
Screw each relocation mount into place at the bottom right and left corners of the upper panel using the x2 Pozi Pan screws included with the kit

Screw the right and left brackets to the sides of the aftermarket head unit using the Hexsocket screws included with the kit. Mount the head unit into the vehicle dash using the OEM screws.

INSTALLATION GUIDE



Surround the head unit with the lower panel and lock into place using the clips retained from the OEM panel and the OEM screws.



Place the upper panel into the dashboard and secure in place using the OEM screws.

Reassemble all other components in the reverse order of disassembly to complete the installation.