

- Remove OEM screws (they are required for fixing of double DIN head unit)



- Attach mounting brackets to double DIN Navigation
- Fix double DIN with OEM screws



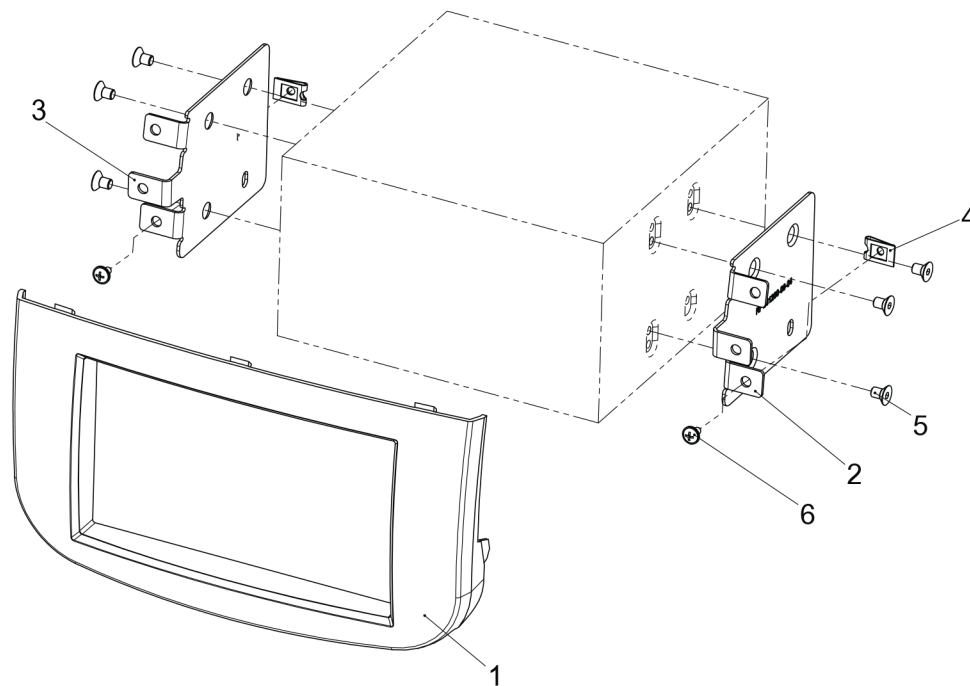
- Place fascia plate until it snaps in



**• Mitsubishi Colt 2009->**

Compatible with these double DIN devices

**Kenwood Navigation**

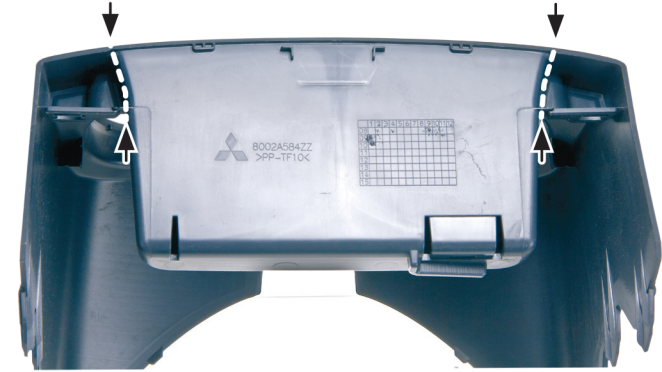


Double DIN Set contents

- (1) fascia Plate
- (2) mounting bracket (right)
- (3) mounting bracket (left)
- (4) speed nut
- (5) hexagon socket countersunk flat head screw
- (6) self-tapping screw with collar

1. Remove OEM head unit  
Remove OEM panel with pocket

Cut out OEM pocket carefully (see lines)



2. Cut out side pin (left and right)  
(see arrow for detail)



3. Cut fin vertically (see dashed line)

