

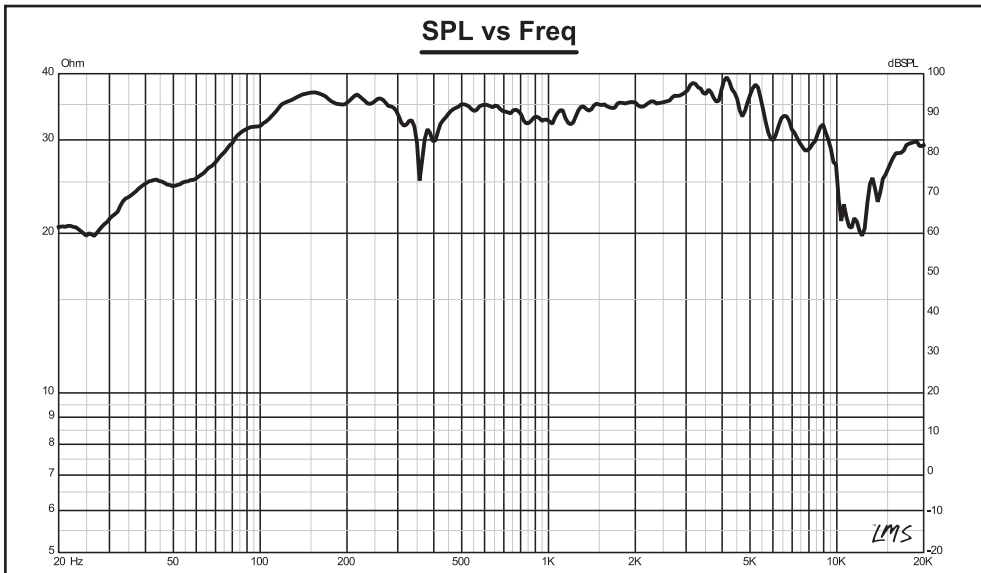
DS18[®]

PRO

PRO-X8.4M

8" MIDRANGE LOUDSPEAKER

- RMS Power Handling: 275 Watts
- MAX Power Handling: 550 Watts
- Frequency Response: 80Hz-13KHz
- Voice Coil Diameter: 1.5" (38.1 mm)
- Voice Coil Material: Kapton
- Nominal Impedance: 4 OHM
- Sensitivity (1W/1M): 98.2dB
- Magnet Weight: 30 oz
- Magnet Material: Ferrite
- Mounting Depth: 79 mm / 3.11"



DS18[®]

PRO

8"
MIDRANGE LOUDSPEAKER

PRO-X8.4M



550W MAX

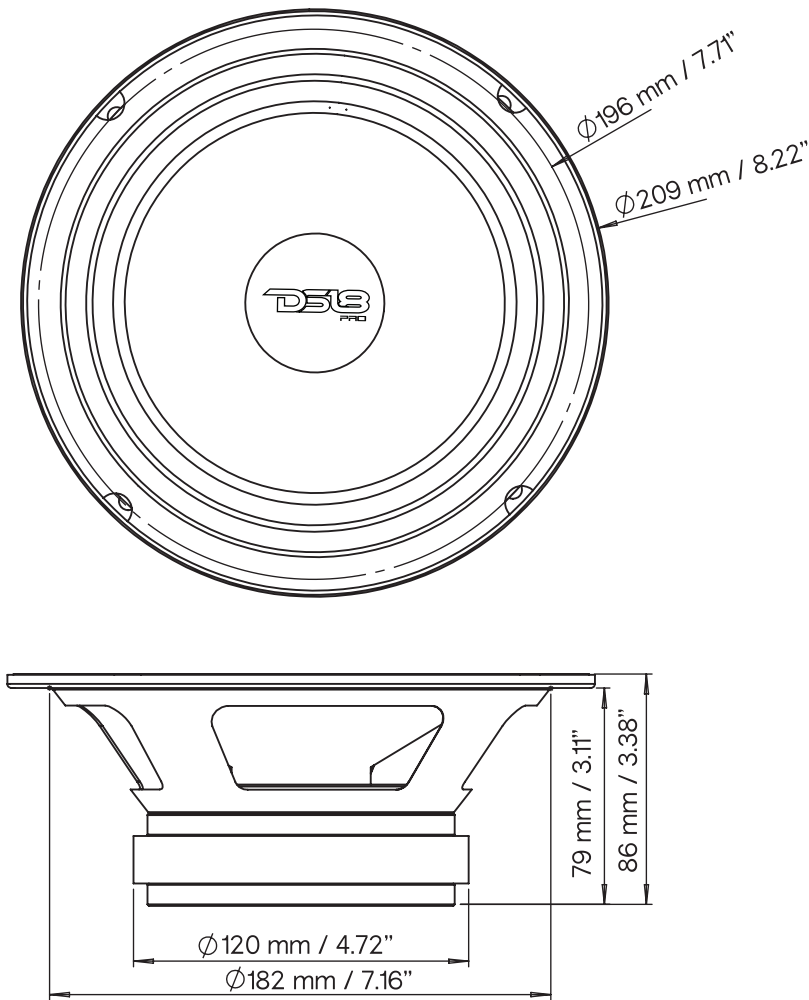
275W RMS

4 OHMS

OWNER'S MANUAL

PRO-X8.4M

8" MIDRANGE LOUDSPEAKER



DS18.COM

PRO-X8.4M 8" MIDRANGE LOUDSPEAKER

Data Sheet

Specifications:

Nominal Diameter	8" (203.2 mm)
Nominal Impedance	4 ohms
RMS Power Handling	275 WATTS
Maximum Power Handling	550 WATTS
Sensitivity (1w/1m)	98.2dB
Frequency Response	80Hz-13KHz
Recommended Hi Pass Crossover.....	120 Hz

Midrange:

Voice Coil Diameter.....	1.5" (38.1 mm)
Voice Coil Former Material.....	Kapton
Winding Material	CCAW
Basket Material	Steel
Magnet Weight	30 oz

Thiele & Small Parameters:

Equivalent Volume	Vas.....	21.85 LTR
Excursion	Xmax	9.3 mm
Free Air Resonance	Fs.....	100 Hz
Mechanical Factor	Qms.....	13.041
Electrical Factor	Qes.....	0.684
Total Factor	Qts.....	0.650
Dc Resistance	Re.....	5.2 ohms

Measurements:

Overall Diameter	209 mm (8.22")
Front Mount Baffle Cutout	182 mm (7.16")
Mounting Depth	79 mm (3.11")
Overall Depth	86 mm (3.38")

#WeLikeItLoud

