



POWER

**RMS 340W**

**MAX 680W**

## MAD PB1-46

### HOW DO YOU LIKE YOUR SPL?

For these enclosures, we've implemented a new feature that we're calling AST - an Active Smart Terminal. By removing the AST connector in the speaker terminal, you can connect separate amplifiers to the midrange speakers and to the tweeters for an active setup. This improves the sound quality and increases the Sound Pressure Level - are you ready to ditch your sound boundaries and unleash the MADness?

### OPTIMIZED SLOT PORT DESIGN

Even if LOUD is one of our core beliefs, it's also important that your sound expectations are met. We've used an optimized high output airflow slot port design to the enclosure, to minimize distortion and give you a cleaner, more musical output. This feature makes sure that you can be as LOUD as you want, without sacrificing sound quality.

### CRAZY TWEETERS

Look out, this is a wild one. We've included the MAD PT1 in this awesome SPL enclosure, a horn tweeter that's always ready to kick some ass and show you how good tweeters can make or break a sound system. This 1-inch horn tweeter with aluminum cone will play really LOUD and endure the toughest cruises!

### MIDRANGE MADNESS

Awesome tweeters are one thing, midrange speakers are another. You'll need four crazy midrange speakers to take your sound system to the next level. We've got you covered with the MAD PM1, here to stay and to play LOUD. Are you going to be "that guy" who stays on the sidelines, or are you going to show everyone how LOUD you can be? If you're ready to take the first step into the wonderful world of SPL, you're good with the PB1-46!

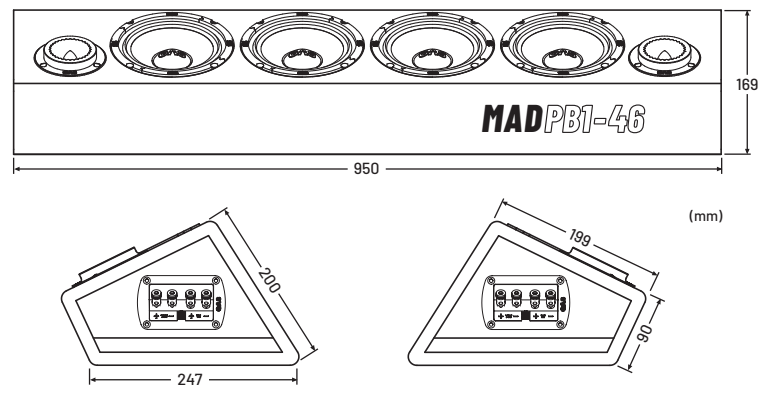
## SPECIFICATIONS

MAD PB1-46	
Component	Pre-loaded SPL enclosure
Size	2x1" (25mm) 4x6.5" (165mm)
Nominal Impedance	2+2 Ohm
Power RMS	340W
Power MAX	680W
Sensitivity	97 dB
Freq.range	100-20000Hz

MAD PT1-254	
Component	SPL Tweeter
Size	1" (25 mm)
Nominal Impedance	4 Ohm
Power RMS	50W
Power MAX	100W
Sensitivity	95 dB
Freq. response	2000-20000Hz
Capacitor	3.3uF MKT 250V
Housing	Aluminum

MAD PM1-64	
Component	Midrange
Size	6.5" (165mm)
Nominal Impedance	4 Ohm
Power RMS	60W
Power MAX	120W
Sensitivity	94dB
Freq. response	100-12000Hz
Voice Coil	1" (25mm) KSV
Cone	Reinforced pressed paper
Basket	Steel
Magnet	H0 Ferrite
Suspension	2R cloth surround

## DIMENSIONS



## INCLUDED ACCESSORIES

