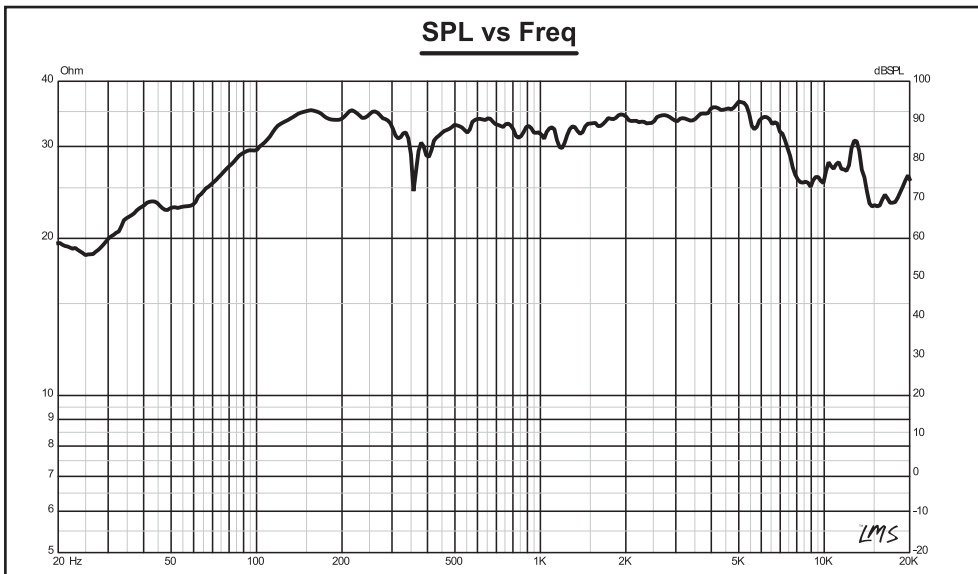




PRO-X6.4M

### 6.5" MIDRANGE LOUDSPEAKER

- RMS Power Handling: 250 Watts
- MAX Power Handling: 500 Watts
- Frequency Response: 90Hz-15KHz
- Voice Coil Diameter: 1.5" (38.1 mm)
- Voice Coil Material: Kapton
- Nominal Impedance: 4 OHM
- Sensitivity (1W/1M): 92dB
- Magnet Weight: 30 oz
- Magnet Material: Ferrite
- Mounting Depth: 62 mm / 2.44"



6.5"

MIDRANGE LOUDSPEAKER

PRO-X6.4M



500W MAX

250W RMS

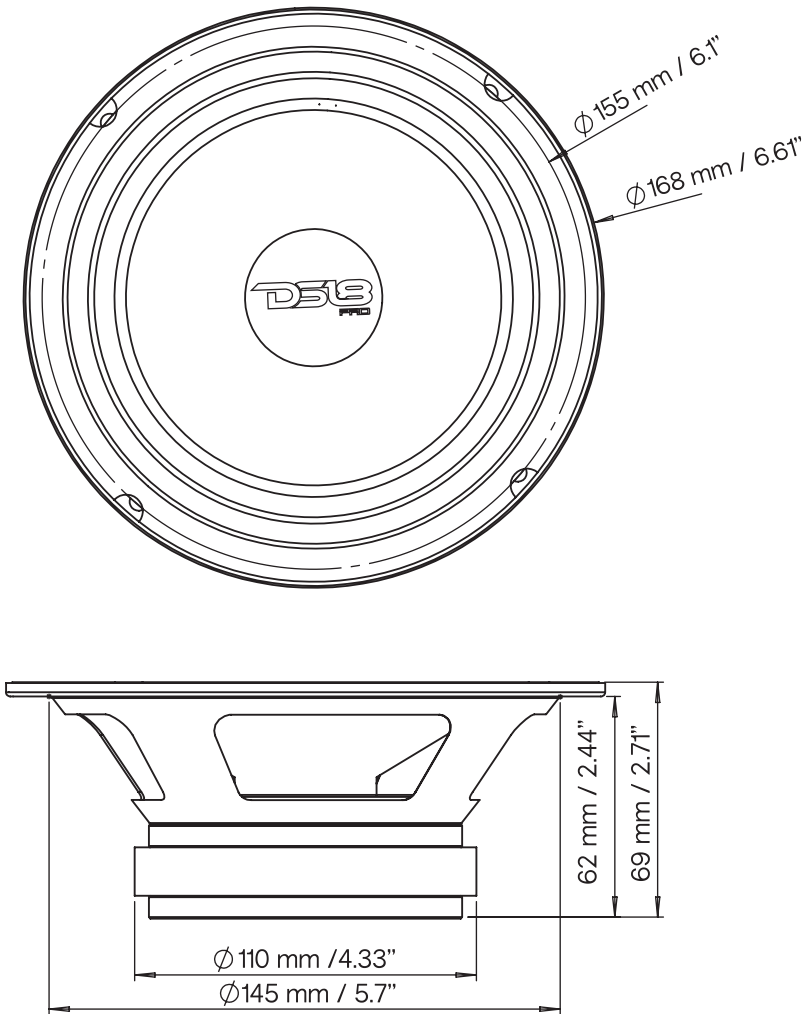
4 OHMS

OWNER'S MANUAL

# PRO-X6.4M

## Data Sheet

**6.5" MIDRANGE LOUDSPEAKER**



[DS18.COM](http://DS18.COM)

**PRO-X6.4M 6.5" MIDRANGE LOUDSPEAKER**

### Specifications:

Nominal Diameter .....	6.5" (165.1 mm)
Nominal Impedance .....	4 ohms
RMS Power Handling .....	250 WATTS
Maximum Power Handling .....	500 WATTS
Sensitivity (1w/1m) .....	92dB
Frequency Response .....	90Hz-15KHz
Recommended Hi Pass Crossover .....	140 Hz

### Midrange:

Voice Coil Diameter .....	1.5" (38.1 mm)
Voice Coil Former Material .....	Kapton
Winding Material .....	CCAW
Basket Material .....	Steel
Magnet Weight .....	30 oz

### Thiele & Small Parameters:

Equivalent Volume	Vas .....	2.654 LTR
Excursion	Xmax .....	8.2 mm
Free Air Resonance	Fs .....	115 Hz
Mechanical Factor	Qms .....	9.856
Electrical Factor	Qes .....	0.781
Total Factor	Qts .....	0.678
Dc Resistance	Re .....	5.2 ohms

### Measurements:

Overall Diameter .....	168 mm (6.61")
Front Mount Baffle Cutout .....	145 mm (5.70")
Mounting Depth .....	62 mm (2.44")
Overall Depth .....	69 mm (2.72")

# WeLikeItLoud

